

12

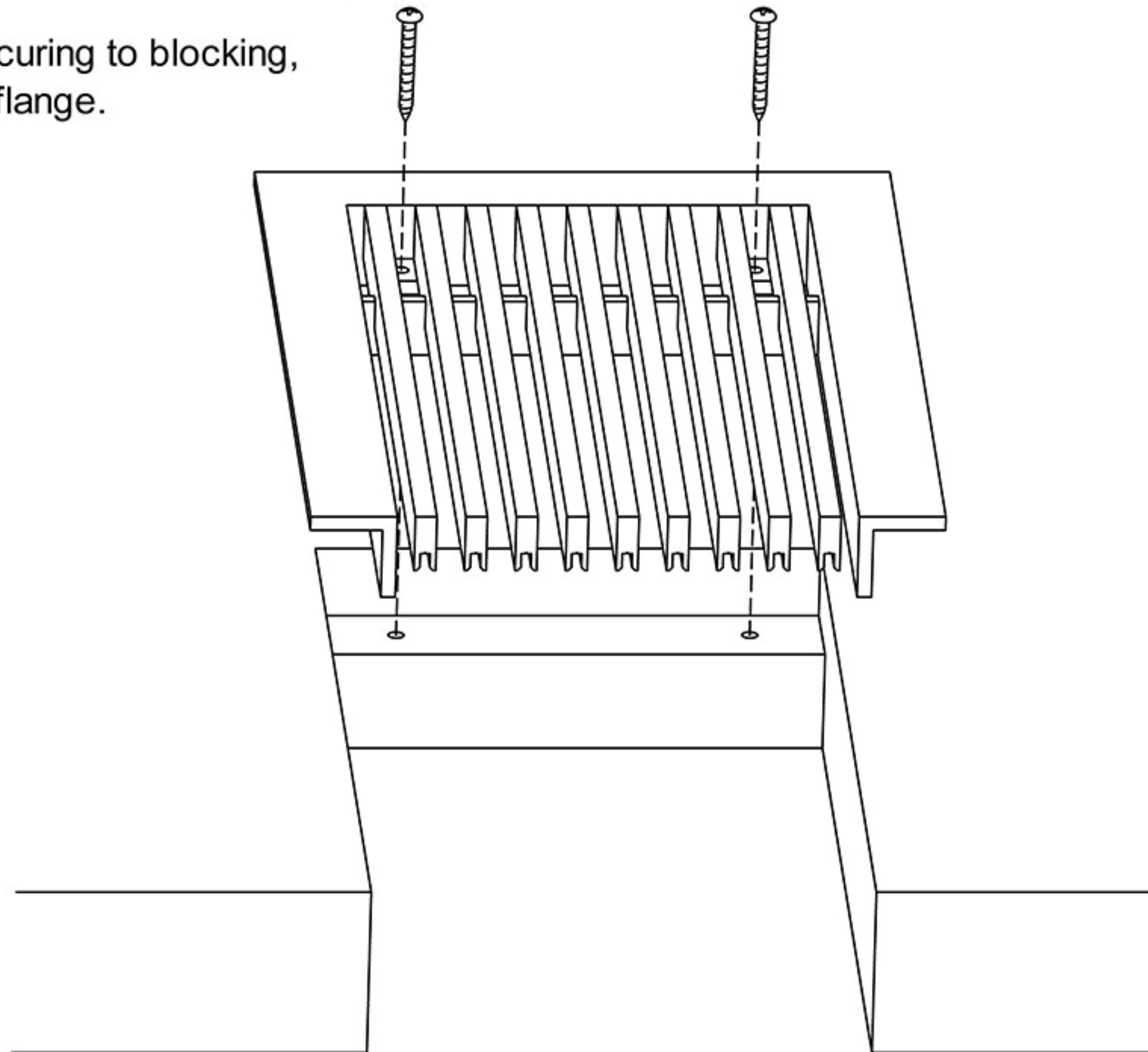
**B FRAME**

*Mounting tabs*

**AAG110**

**SHOWN**

B frame with mounting tabs for securing to blocking, mill work, supports, angle or duct flange.



**Artistry in Architectural Grilles**  
custom architectural grilles and metal-work

SECTION NAME: B-FRAME SECTION	
TITLE: INSTALLATION DETAIL	
DRAWN BY: QW	DRAWING # # 12
DATE:	SCALE: NOT TO SCALE

**ADVANCED ARCH GRILLES**  
149 Denton Avenue, New Hyde Park, NY 11040  
Voice: 516-488-0628 Fax: 516-488-0728  
Email: sales@agrilles.com