

13

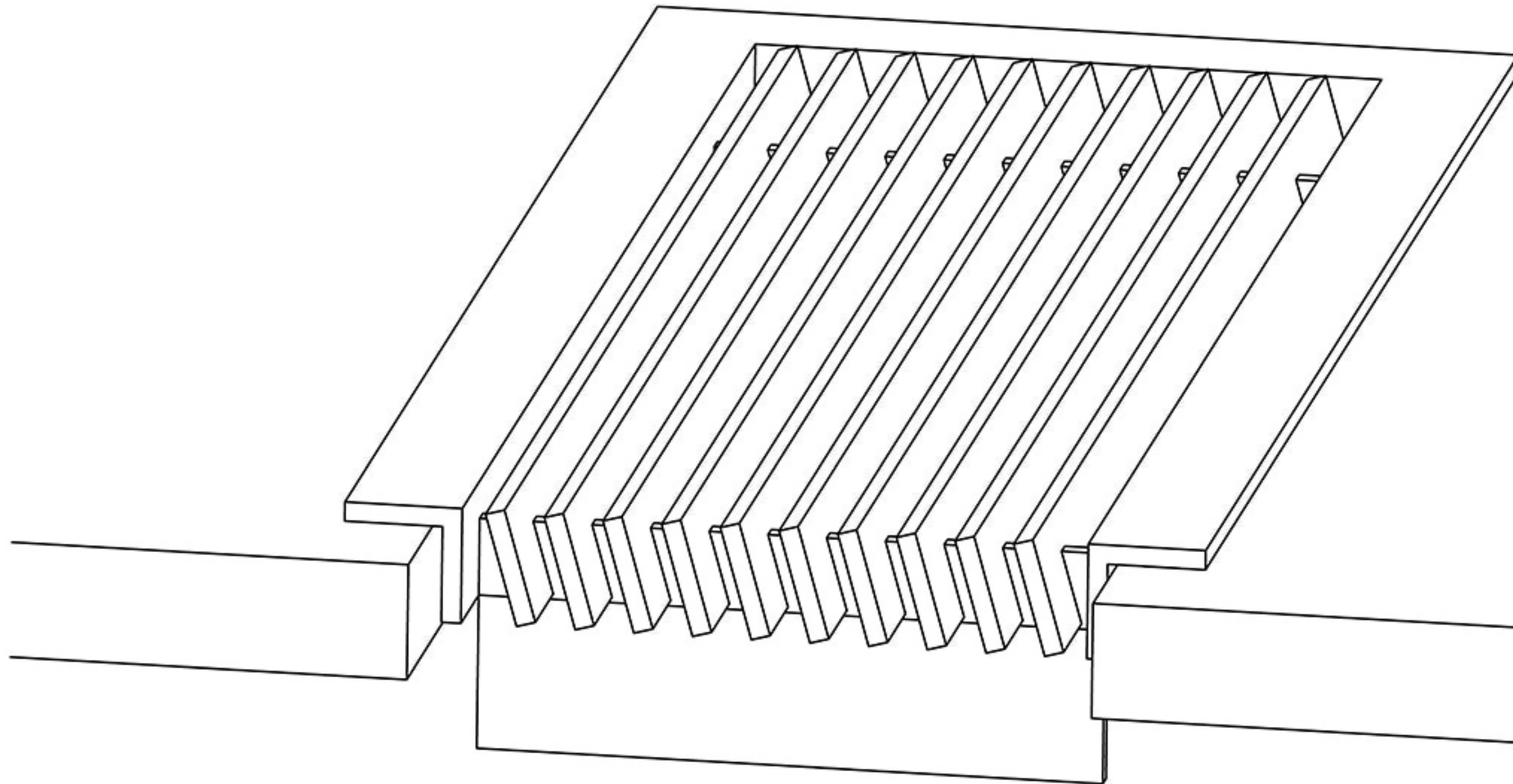
B FRAME

Reinforced cross bars

AAG400

SHOWN

B frame shown with reinforced cross bars for floor or heavy traffic application.
Additional reinforcement provided with custom cross bar spacing.



Artistry in Architectural Grilles
custom architectural grilles and metal-work

SECTION NAME: B-FRAME SECTION	
TITLE: INSTALLATION DETAIL	
DRAWN BY: QW	DRAWING # # 13
DATE:	SCALE: NOT TO SCALE

ADVANCED ARCH GRILLES
149 Denton Avenue, New Hyde Park, NY 11040
Voice: 516-488-0628 Fax: 516-488-0728
Email: sales@agrilles.com