

Pat #: AAG723

STANDARD PATTERN SIZES
(SPECIFY ONE PER SHEET)

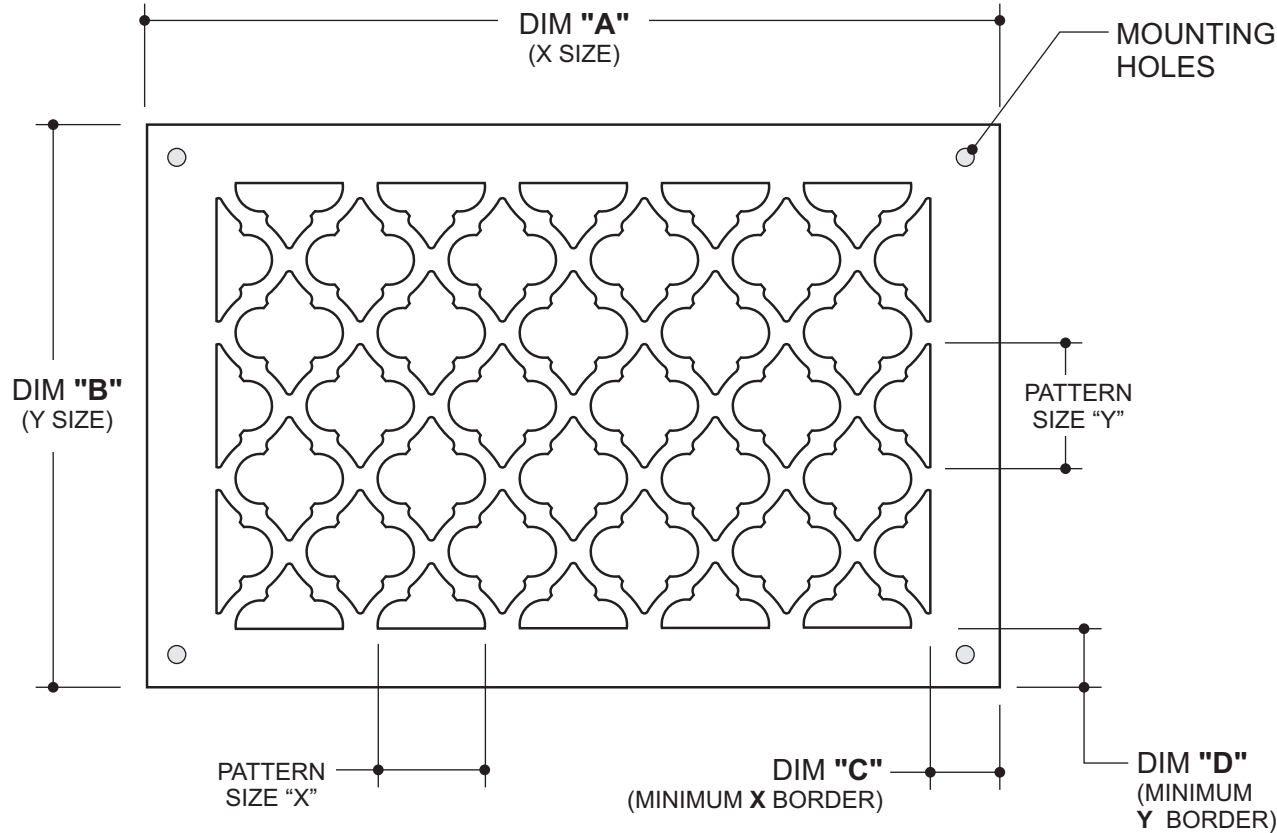
- 2" x 1-3/4" (67% OPEN)
- 1-5/8" x 1-7/16" (67% OPEN)
- NON-STD SIZE (SPECIFY)

MOUNTING HOLES:	COUNTERSINK:
<input type="checkbox"/> YES <input type="checkbox"/> NO	<input type="checkbox"/> YES <input type="checkbox"/> NO

MOUNTING HOLE DETAILS:

ITEMS / DIMENSIONS

QTY	A	B	C	D



#AAG723 - Classic

MATERIAL:	FINISH:	THICKNESS:
-----------	---------	------------

CUSTOMER:	PROJECT:	NOTES:
CONTACT:	ARCHITECT:	
PHONE:	ENGINEER:	
	CONTRACTOR:	



Custom
**Architectural Grilles
& Metalwork**

ADVANCED ARCH GRILLES

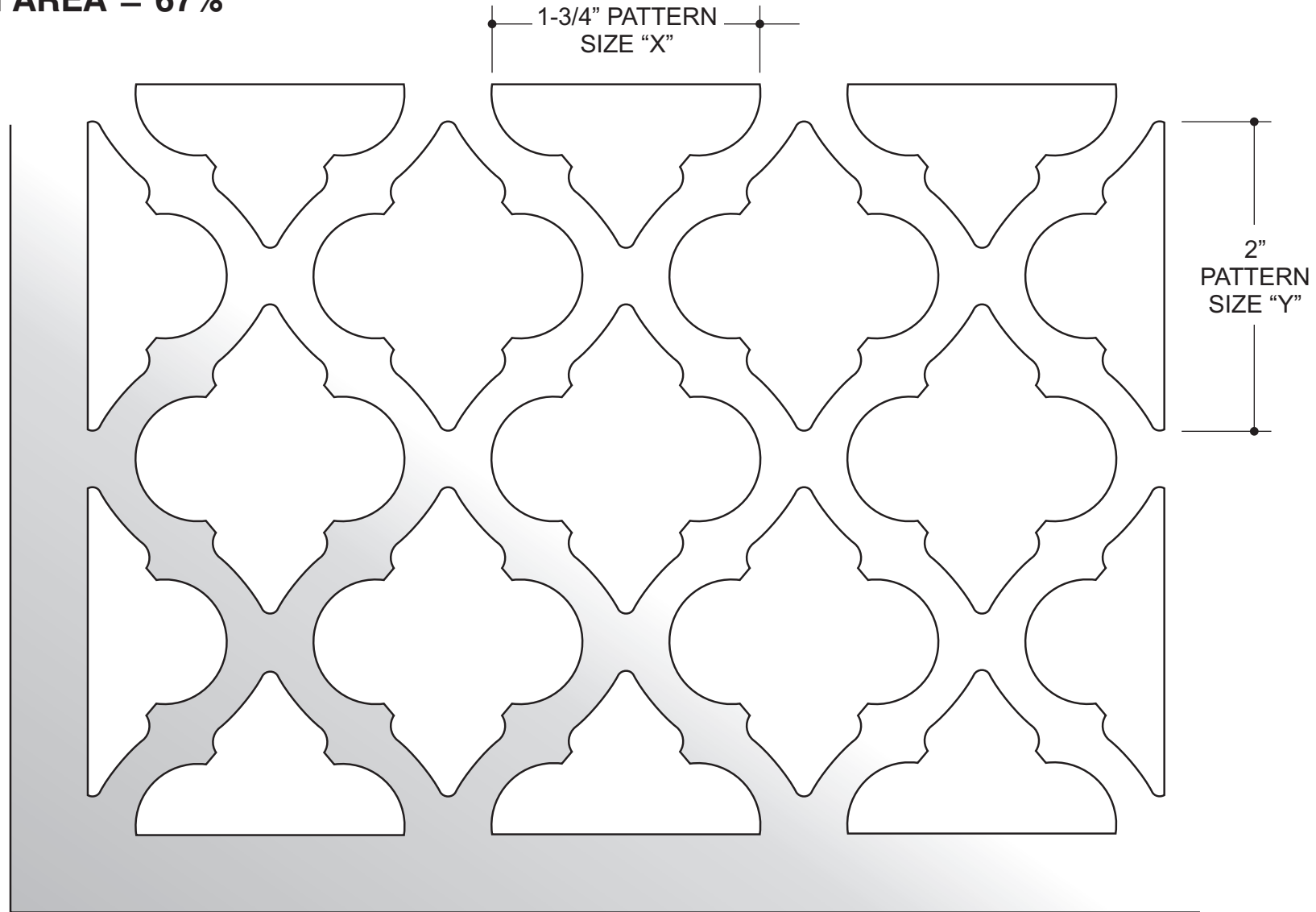
149 Denton Avenue, New Hyde Park, NY 11040
 Voice: 516-488-0628 Fax: 516-488-0728
 Email: sales@aagrilles.com

JOB #:

QUOTE #:

OPEN AREA = 67%

FORM # **AAG723-200**



AAG723 CLASSIC

2 X 1-3/4 INCH PATTERN SIZE - FULL SCALE



Custom
Architectural Grilles
& Metalwork

ADVANCED ARCH GRILLES

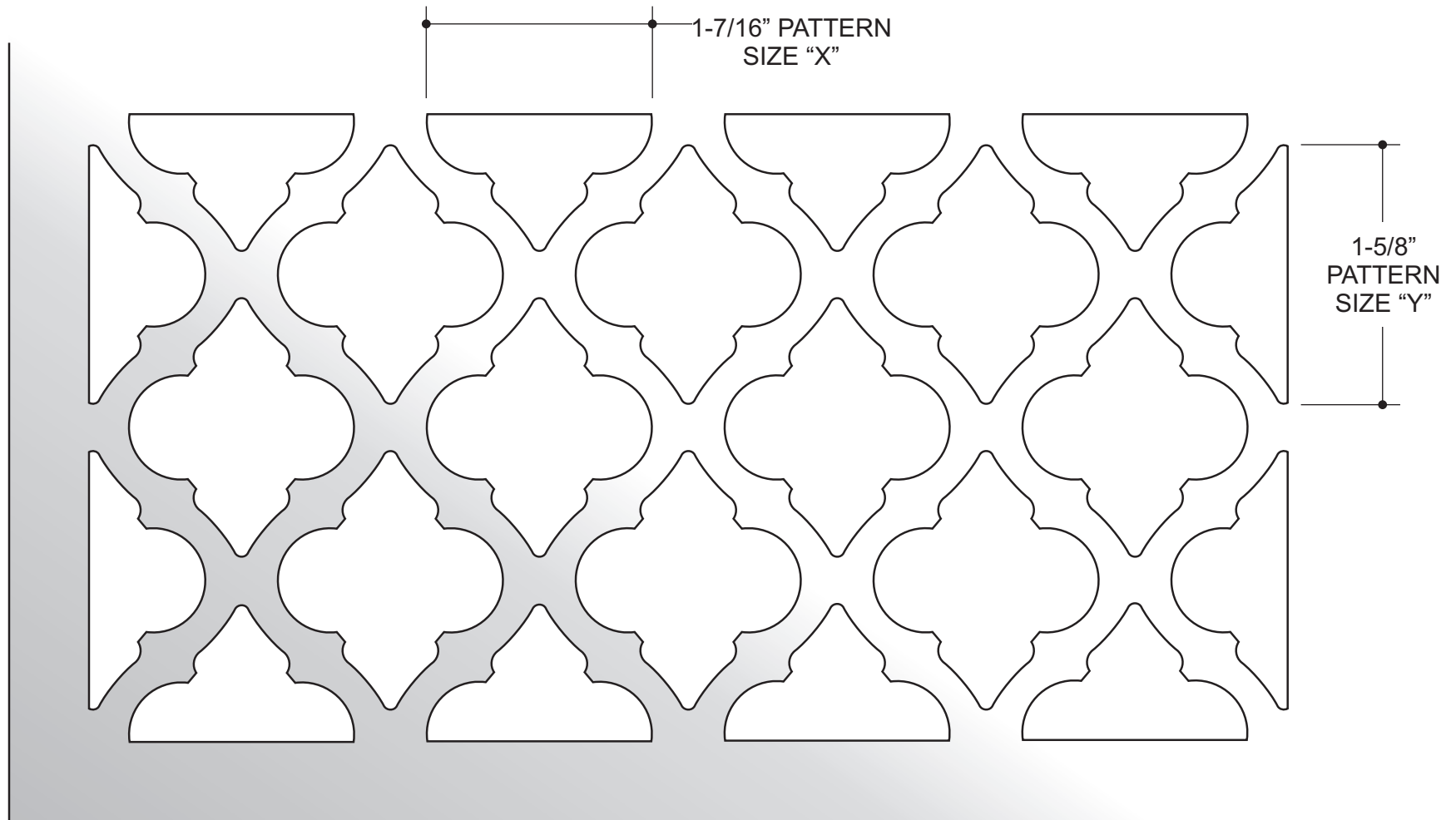
149 Denton Avenue, New Hyde Park, NY 11040
Voice: 516-488-0628 Fax: 516-488-0728
Email: sales@aagrilles.com

JOB #:

QUOTE #:

OPEN AREA = 67%

FORM # **AAG723-1625**



AAG723 CLASSIC

1-5/8 x 1-7/16 INCH PATTERN SIZE - FULL SCALE



Custom
Architectural Grilles
& Metalwork

ADVANCED ARCH GRILLES

149 Denton Avenue, New Hyde Park, NY 11040
Voice: 516-488-0628 Fax: 516-488-0728
Email: sales@aagrilles.com

JOB #:

QUOTE #: