

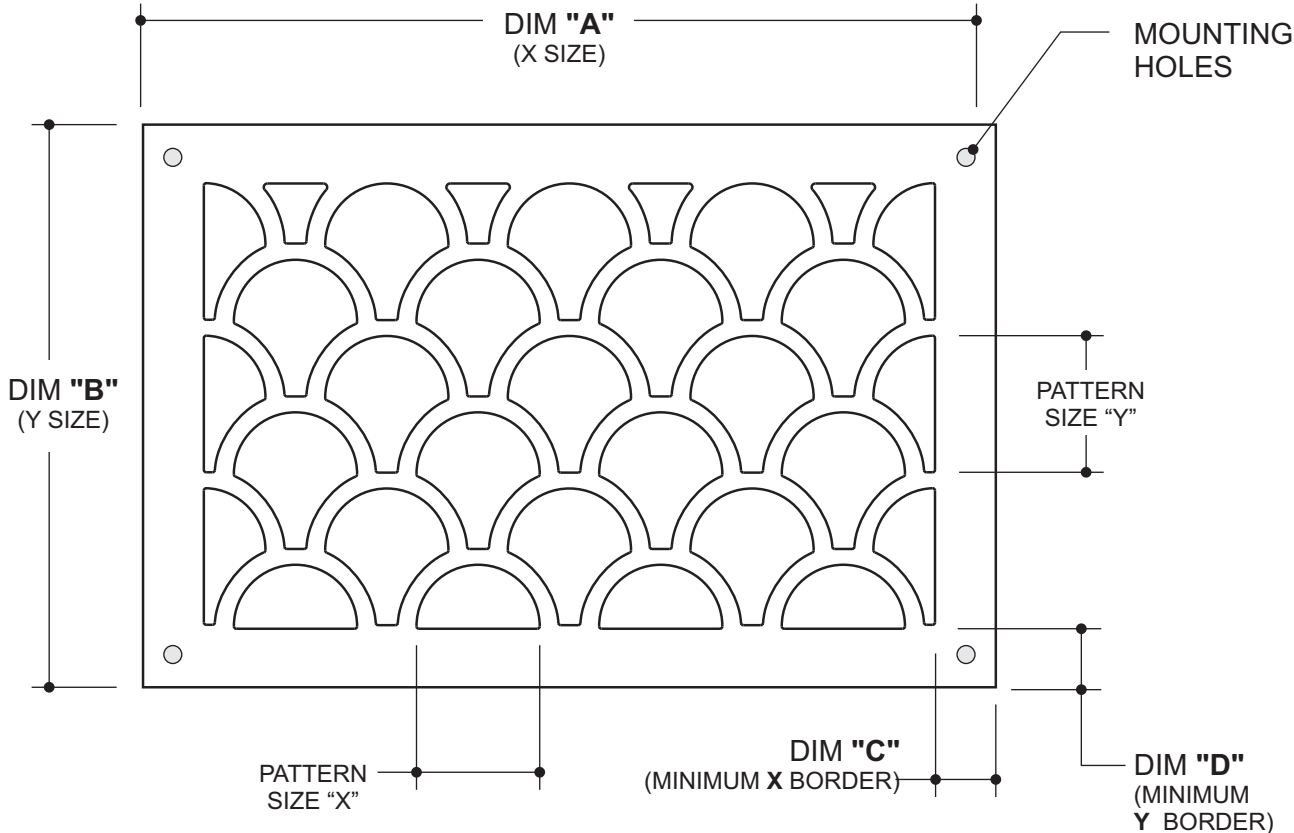
Pat #: AAG725

STANDARD PATTERN SIZES
(SPECIFY ONE PER SHEET)

- 1-3/4 x 1-9/16" (73% OPEN)
- NON-STD SIZE (SPECIFY)

- | | |
|--|--|
| MOUNTING HOLES: | COUNTERSINK: |
| <input type="checkbox"/> YES <input type="checkbox"/> NO | <input type="checkbox"/> YES <input type="checkbox"/> NO |

MOUNTING HOLE DETAILS:



ITEMS / DIMENSIONS

QTY	A	B	C	D

#AAG725 - Tear Drop

MATERIAL:	FINISH:	THICKNESS:
-----------	---------	------------

CUSTOMER:	PROJECT:	NOTES:
CONTACT:	ARCHITECT:	
PHONE:	ENGINEER:	
	CONTRACTOR:	

Custom
**Architectural Grilles
& Metalwork**

ADVANCED ARCH GRILLES
 149 Denton Avenue, New Hyde Park, NY 11040
 Voice: 516-488-0628 Fax: 516-488-0728
 Email: sales@aagrilles.com

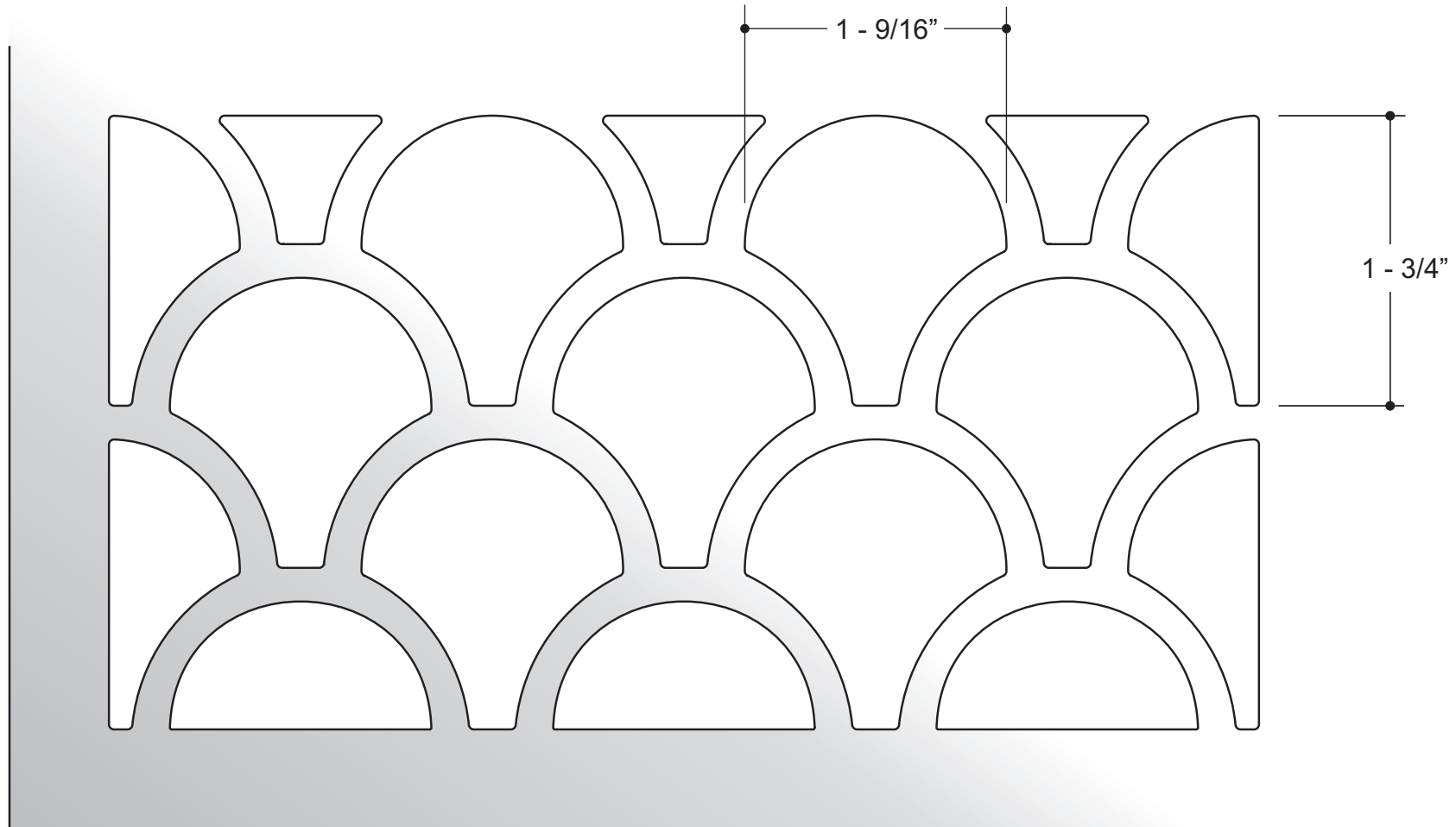
JOB #:

QUOTE #:

OPEN AREA = 73%

FORM #

AAG725



AAG725 TEAR DROP

1-3/4 X 1 9/16 INCH PATTERN SIZE - FULL SCALE



Custom
Architectural Grilles
& Metalwork

ADVANCED ARCH GRILLES

149 Denton Avenue, New Hyde Park, NY 11040
Voice: 516-488-0628 Fax: 516-488-0728
Email: sales@aagrilles.com

JOB #:

QUOTE #: