

# 14

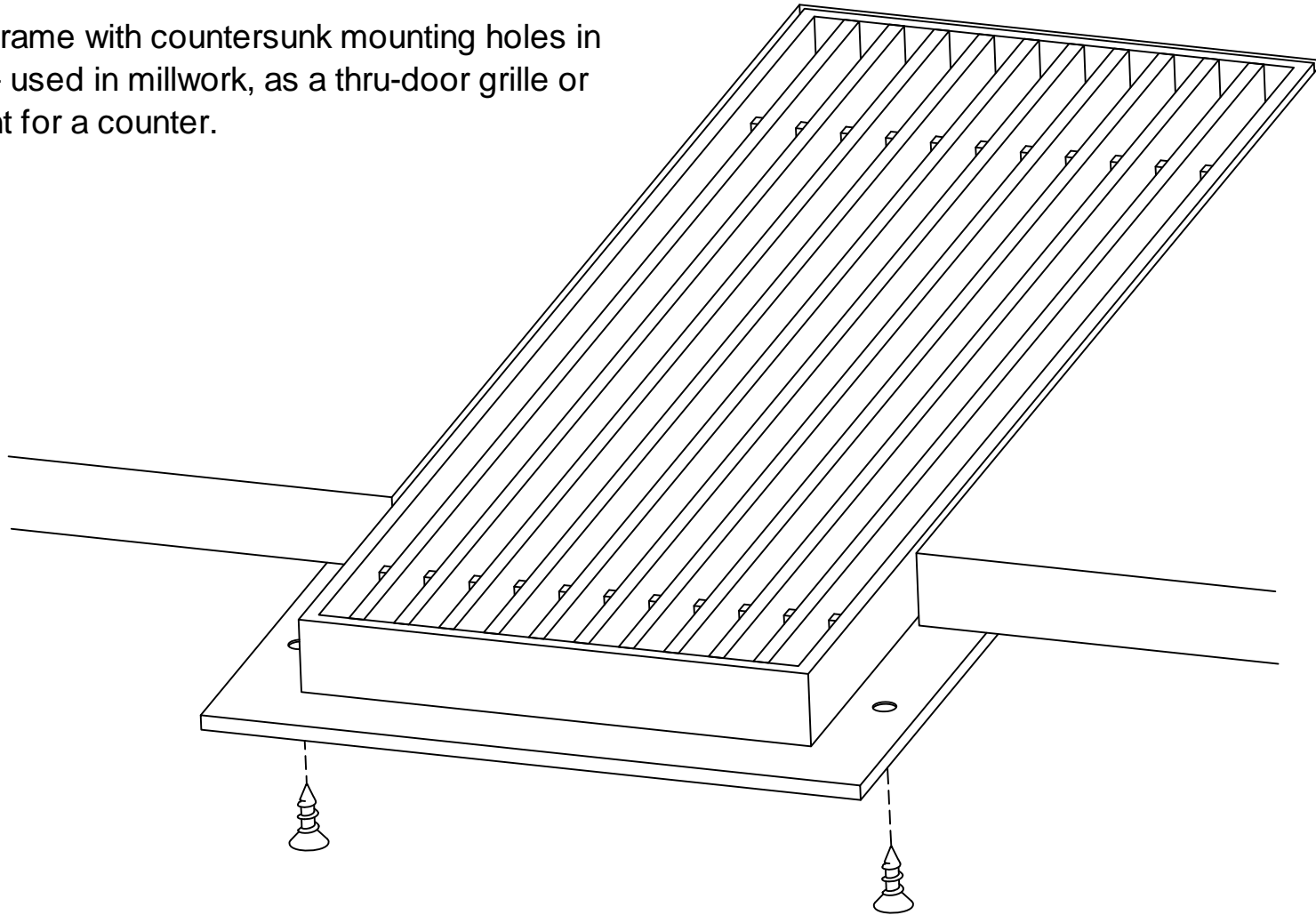
## B Frame

*Inverted with mounting holes in the flange*

## AAG100

SHOWN

Inverted B frame with countersunk mounting holes in the flange – used in millwork, as a thru-door grille or under mount for a counter.



|                               |                     |
|-------------------------------|---------------------|
| SECTION NAME: B-FRAME SECTION |                     |
| TITLE: INSTALLATION DETAIL    |                     |
| DRAWN BY: QW                  | DRAWING # # 14      |
| DATE:                         | SCALE: NOT TO SCALE |
|                               |                     |