

17

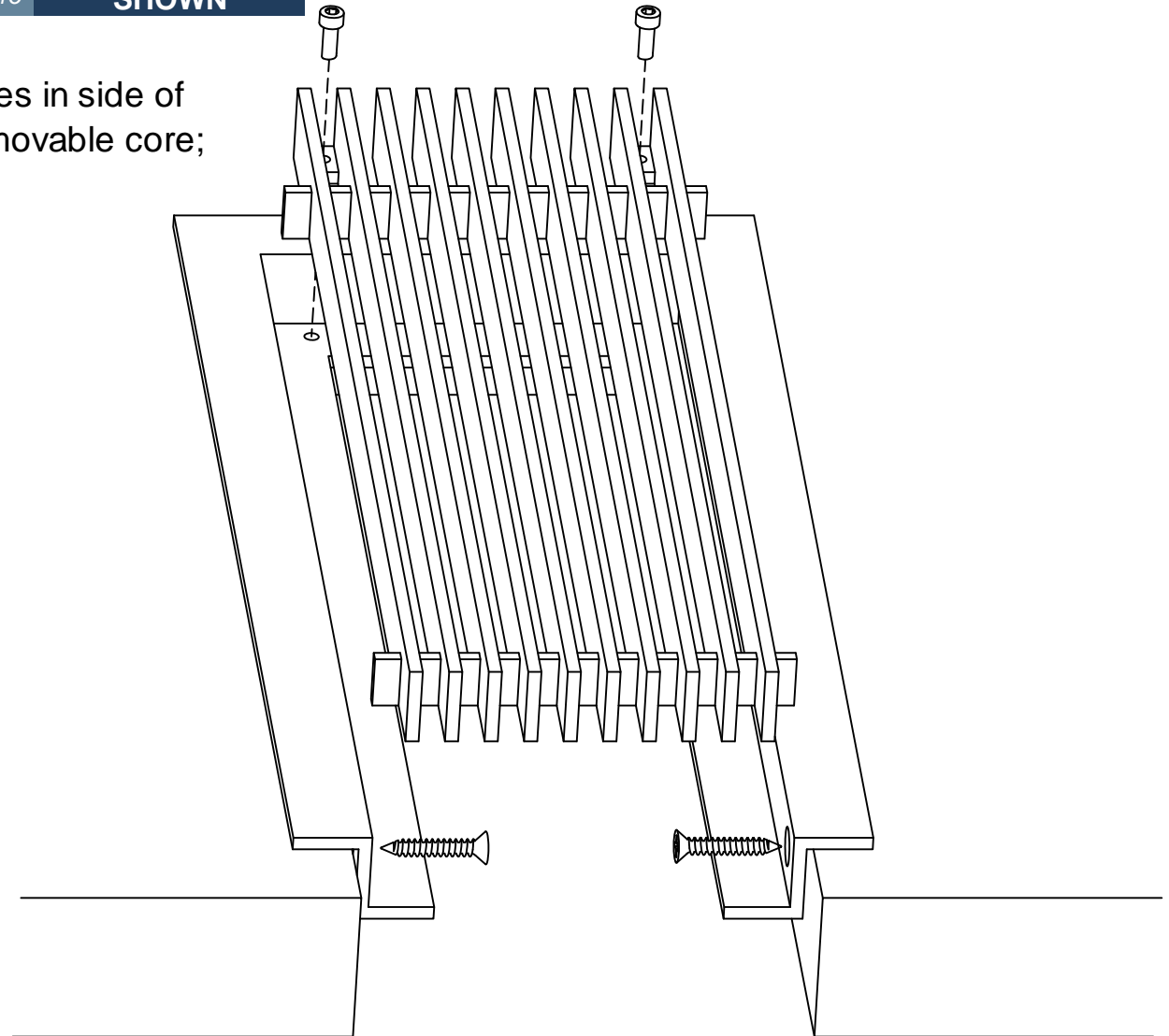
C Frame

Concealed mounting holes-Removable core

AAG100

SHOWN

C frame with countersunk mounting holes in side of frame for fastening to opening, with removable core; wall and ceiling applications.



SECTION NAME: C-FRAME SECTION	
TITLE: INSTALLATION DETAIL	
DRAWN BY: QW	DRAWING # # 17
DATE:	SCALE: NOT TO SCALE