

21

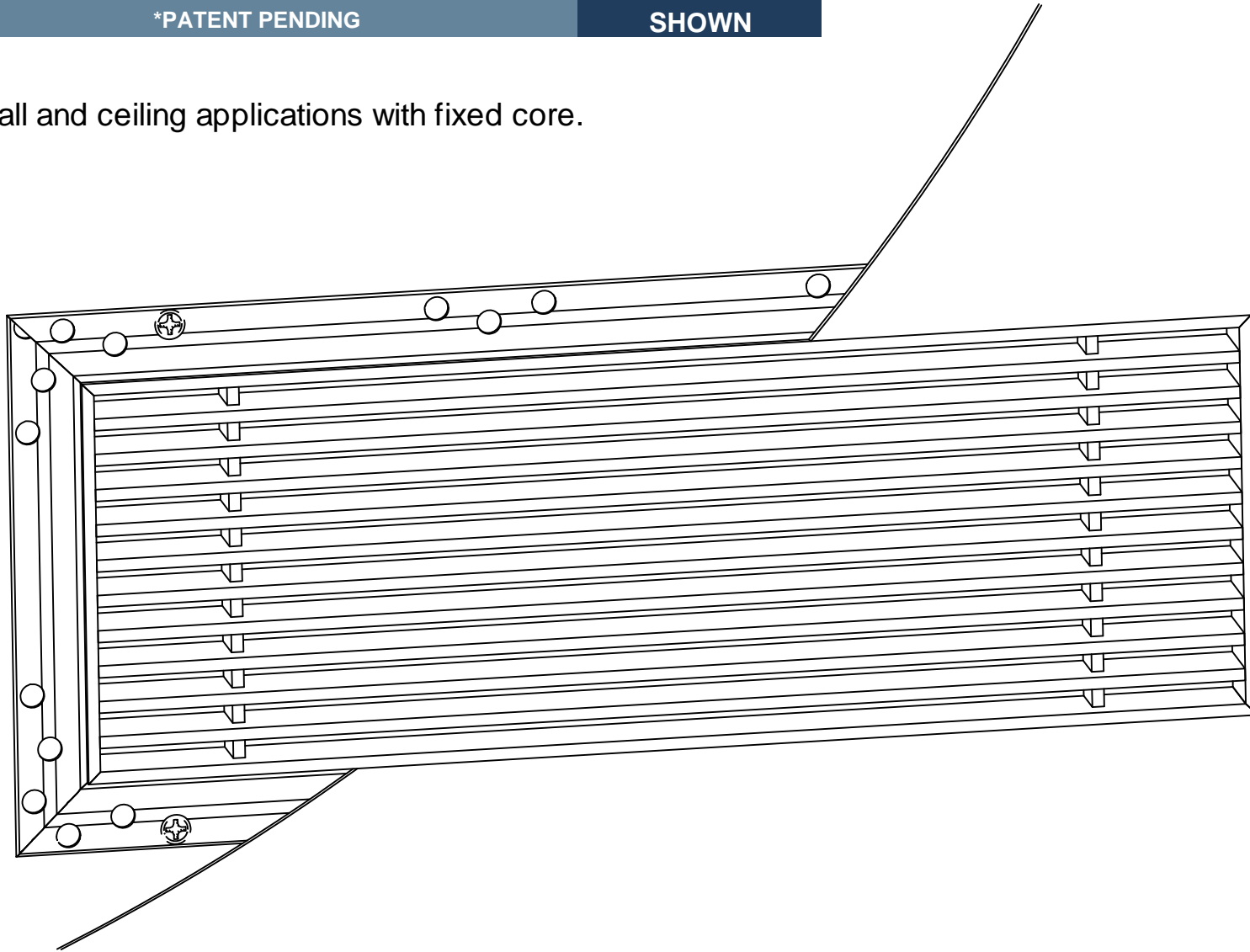
Plaster J-Bead* Frame

*PATENT PENDING

AAG100

SHOWN

JBEAD for wall and ceiling applications with fixed core.



SECTION NAME: JBEAD-FRAME SECTION	
TITLE: INSTALLATION DETAIL	
DRAWN BY: QW	DRAWING # # 21
DATE:	SCALE: NOT TO SCALE