

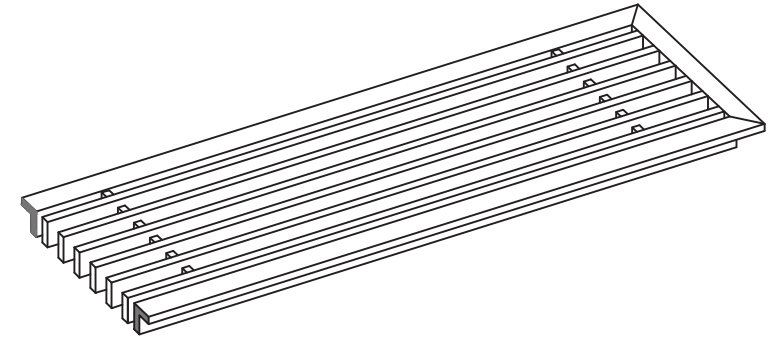
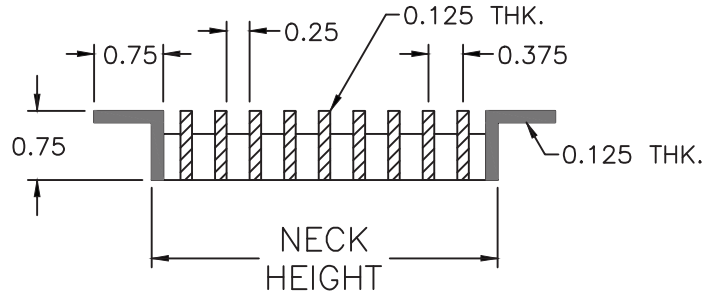
JOB NUMBER:

B-Frame

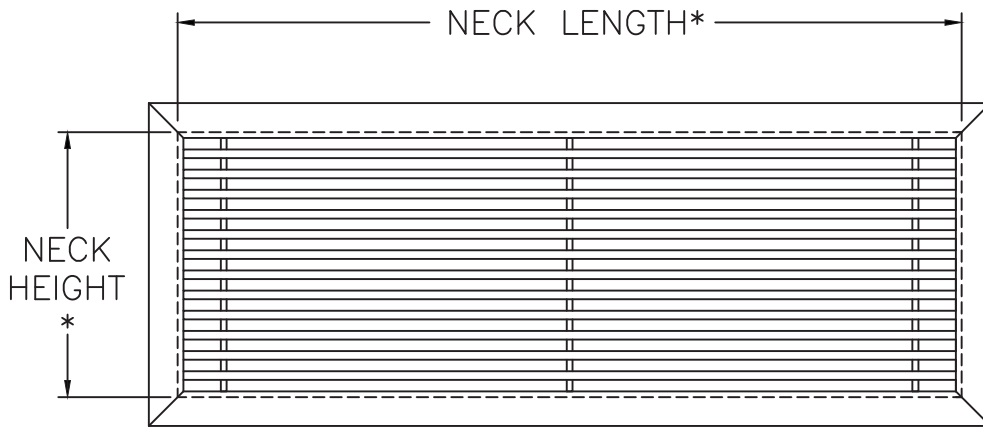
BAR STYLE: 100



ADVANCED ARCHITECTURAL GRILLEWORKS



NOTE: WELDED CORE



*GRILLE NECK SIZE IS 0.125" SMALLER THAN OPENING SIZE
 GRILLE OVERALL SIZE IS 1.25" BIGGER THAN GRILLE NECK SIZE

PLEASE FIELD VERIFY ALL DIMENSIONS

Advanced Architectural Grilleworks

149 Denton Avenue, New Hyde Park, NY 11040 Voice: 516-488-0628
 Email: sales@aagrilles.com

JOB NUMBER:	SCALE: NOT TO SCALE
DWG NUMBER:	JOB NAME:
DRAWN BY:	MATERIAL:
DATE DRAWN:	FINISH:
LAST REV.:	