



ADVANCED ARCHITECTURAL GRILLEWORKS

CORE STYLE
AAG-110

FRAME STYLE
"A"-frame

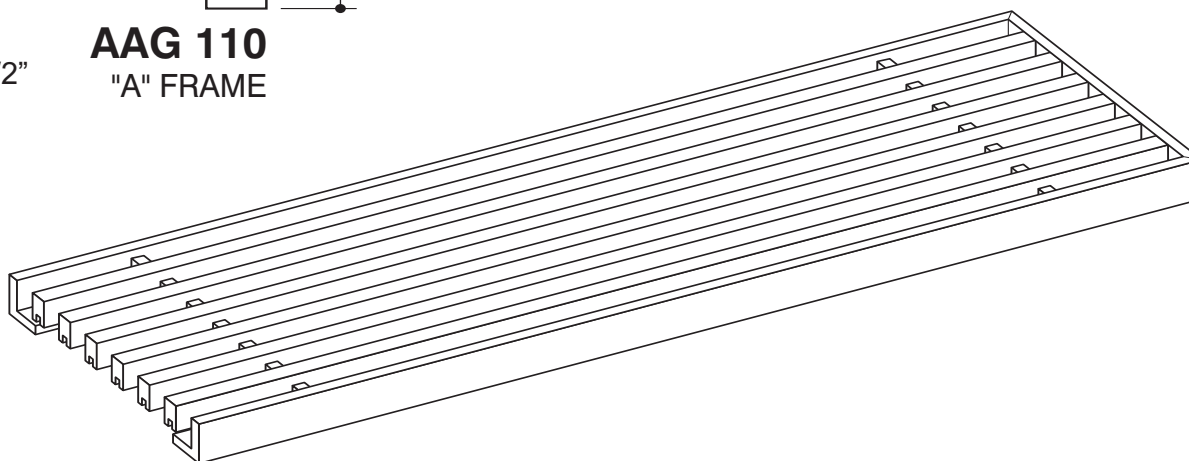
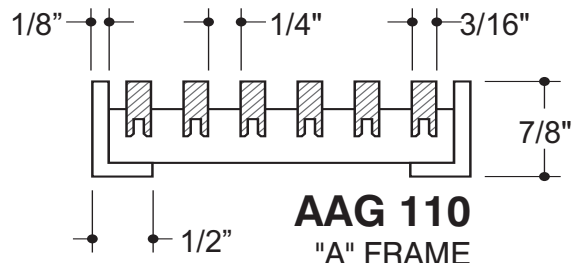
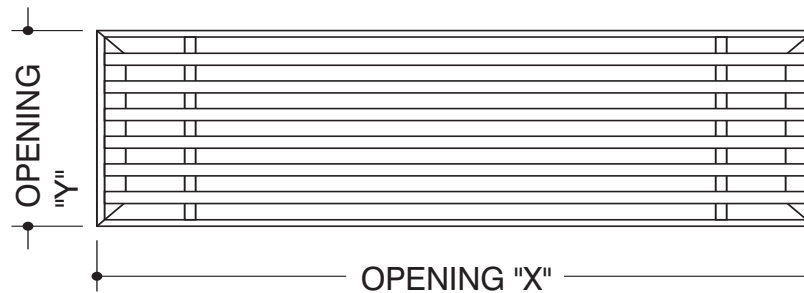
MATERIAL:

FINISH:

DEPTH: **7/8"**

OPENING SIZES

QTY	X	Y



CUSTOMER:	PROJECT:	NOTES:
	CONTACT:	
PHONE:	ENGINEER:	
	CONTRACTOR:	

Advanced Architectural Grilleworks

149 Denton Avenue, New Hyde Park, NY 11040 Voice: 516-488-0628

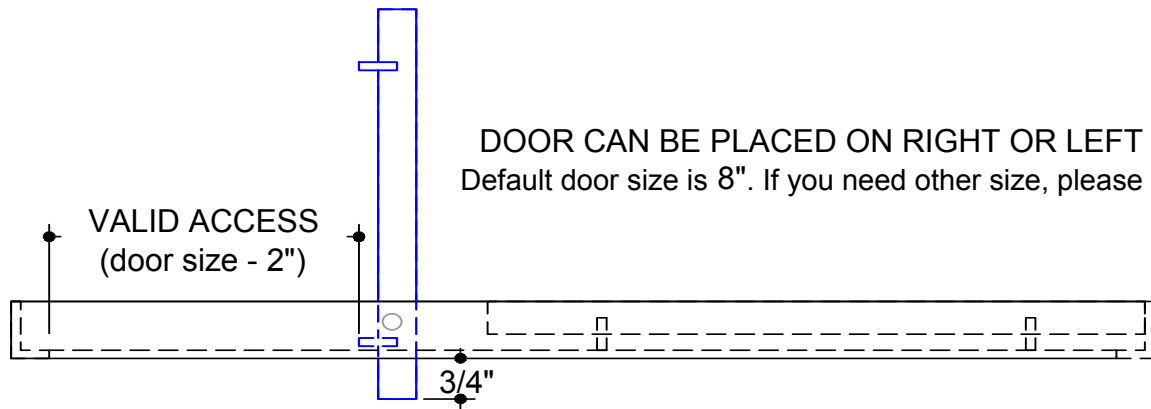
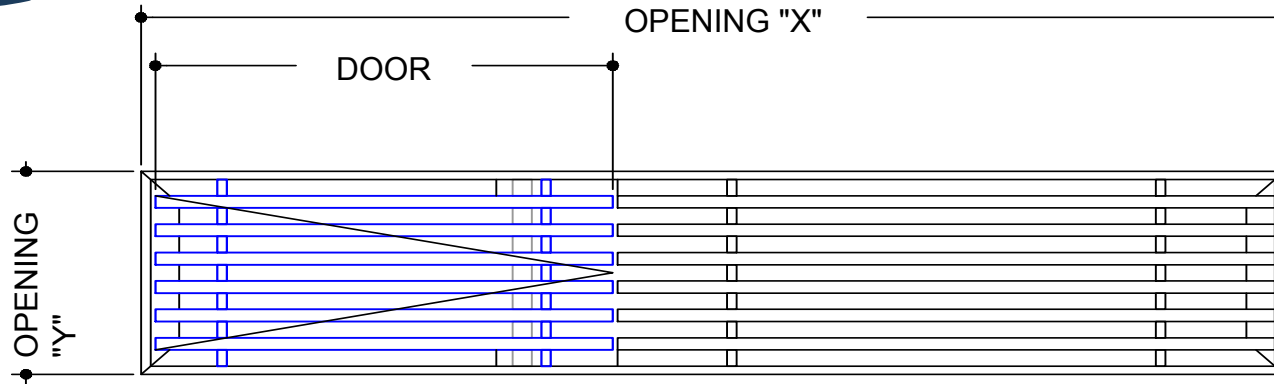
Email: sales@agrilles.com

JOB #:

QUOTE #:



ADVANCED ARCHITECTURAL GRILLEWORKS



CORE STYLE
AAG-110

FRAME STYLE
"A"-frame

MATERIAL:

FINISH:

DEPTH: **7/8"**

DOOR SIZE:

OPENING SIZES

QTY	X	Y

CUSTOMER:

CONTACT:

PHONE:

PROJECT:

ARCHITECT:

ENGINEER:

CONTRACTOR:

NOTES:

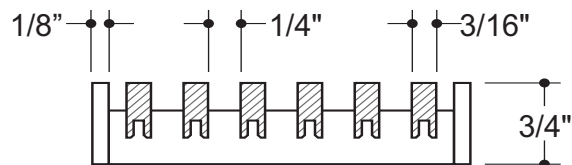
Advanced Architectural Grilleworks
 149 Denton Avenue, New Hyde Park, NY 11040 Voice: 516-488-0628
 Email: sales@aagrilles.com

JOB #:

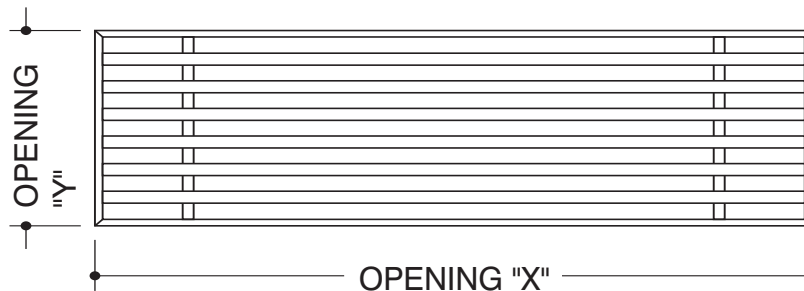
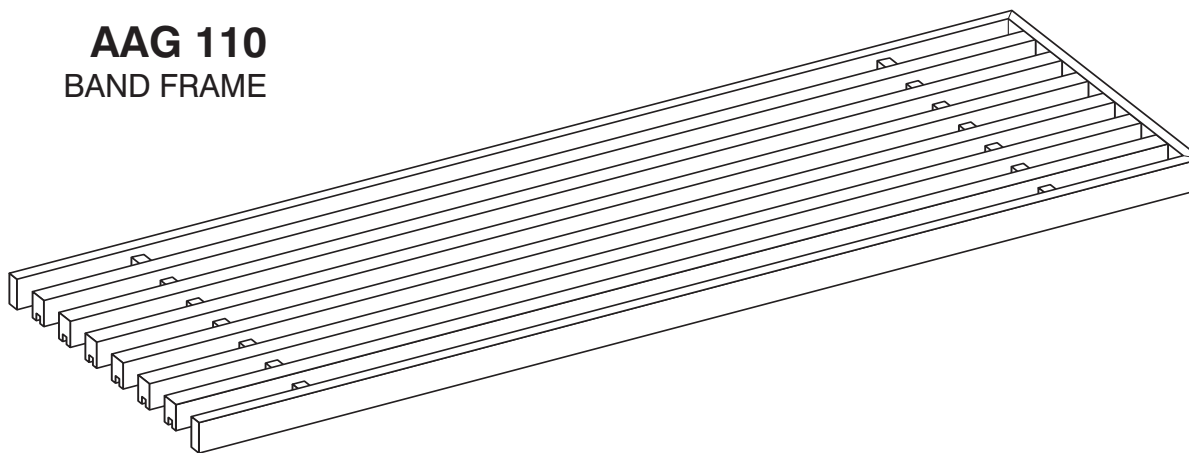
QUOTE #:



ADVANCED ARCHITECTURAL GRILLEWORKS



AAG 110
BAND FRAME



CORE STYLE
AAG-110

FRAME STYLE
Band Frame

MATERIAL:

FINISH:

DEPTH: **3/4"**

OPENING SIZES

QTY	X	Y

CUSTOMER:

PROJECT:

NOTES:

CONTACT:

ARCHITECT:

ENGINEER:

PHONE:

CONTRACTOR:

Advanced Architectural Grilleworks

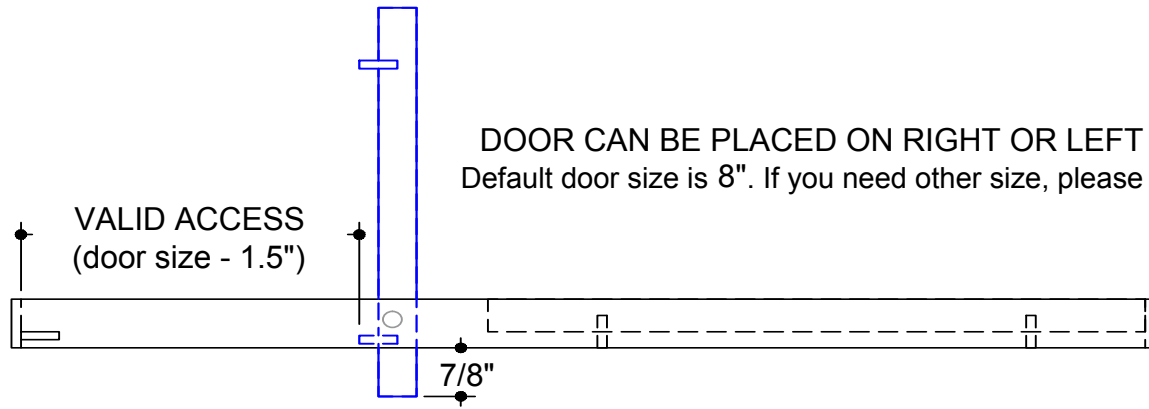
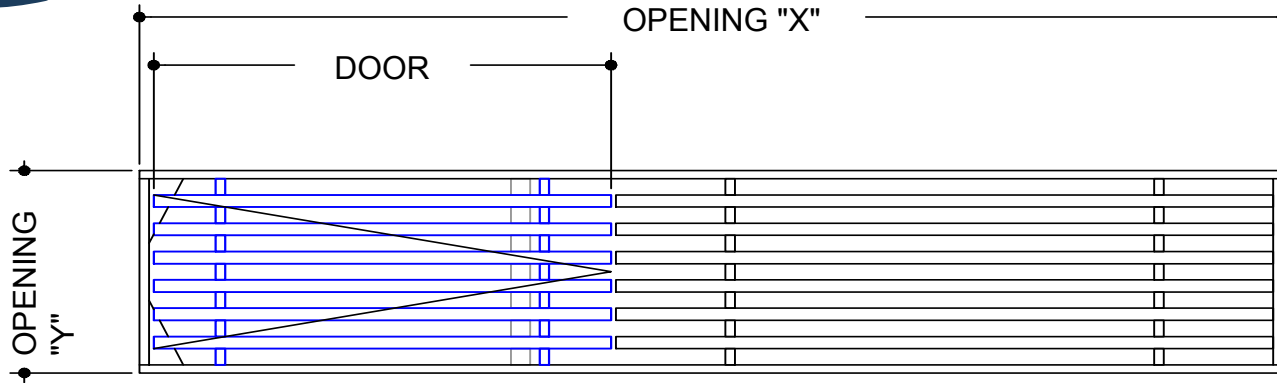
149 Denton Avenue, New Hyde Park, NY 11040 Voice: 516-488-0628
Email: sales@agrilles.com

JOB #:

QUOTE #:



ADVANCED ARCHITECTURAL GRILLEWORKS



DOOR CAN BE PLACED ON RIGHT OR LEFT SIDE
Default door size is 8". If you need other size, please specify.

CORE STYLE
AAG-110
FRAME STYLE
Band Frame

MATERIAL:

FINISH:

DEPTH: **3/4"**

DOOR SIZE:

OPENING SIZES

QTY	X	Y

CUSTOMER:	PROJECT:	NOTES:
CONTACT:	ARCHITECT:	
PHONE:	ENGINEER:	
	CONTRACTOR:	

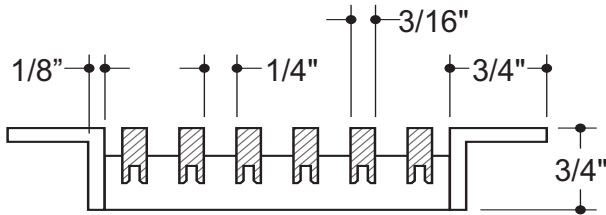
Advanced Architectural Grilleworks 149 Denton Avenue, New Hyde Park, NY 11040 Voice: 516-488-0628 Email: sales@aagrilles.com	JOB #:
	QUOTE #:



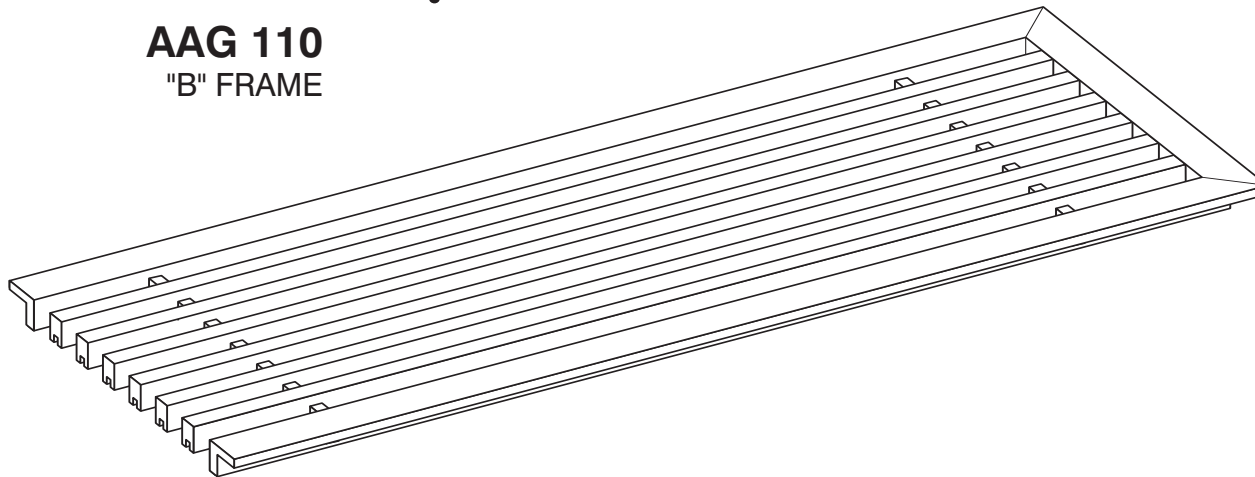
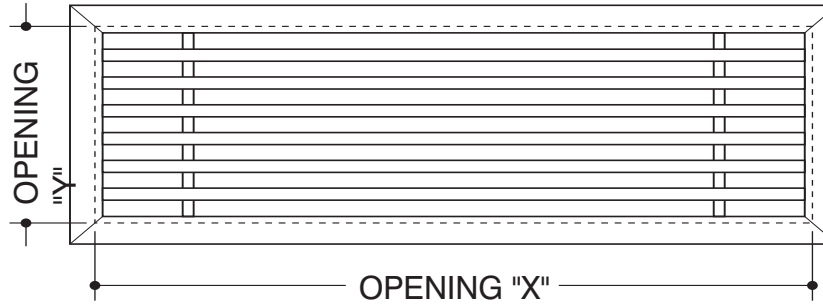
ADVANCED ARCHITECTURAL GRILLEWORKS

CORE STYLE
AAG-110

FRAME STYLE
"B"-frame



AAG 110
"B" FRAME



MATERIAL:

FINISH:

DEPTH: **3/4"**

OPENING SIZES

QTY	X	Y

CUSTOMER:
CONTACT:
PHONE:

PROJECT:
ARCHITECT:
ENGINEER:
CONTRACTOR:

NOTES:

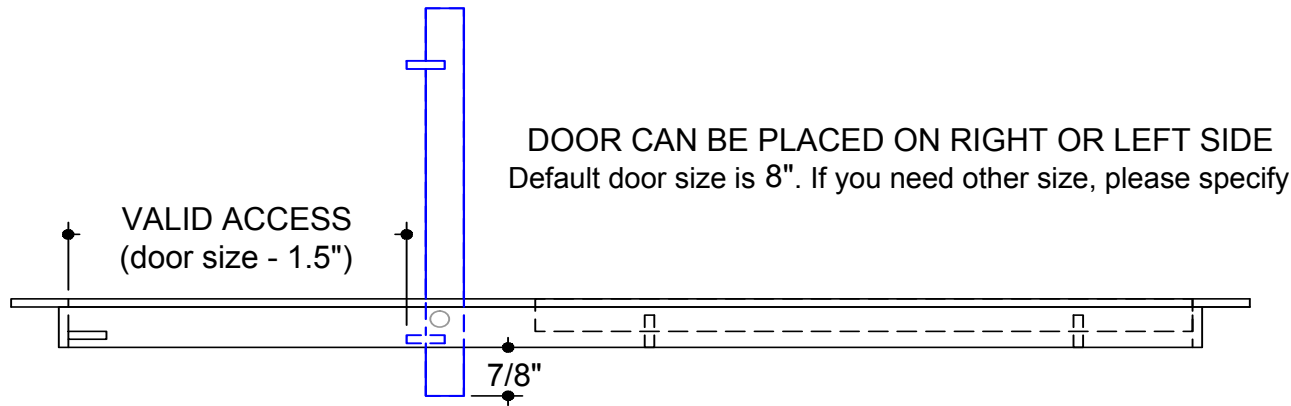
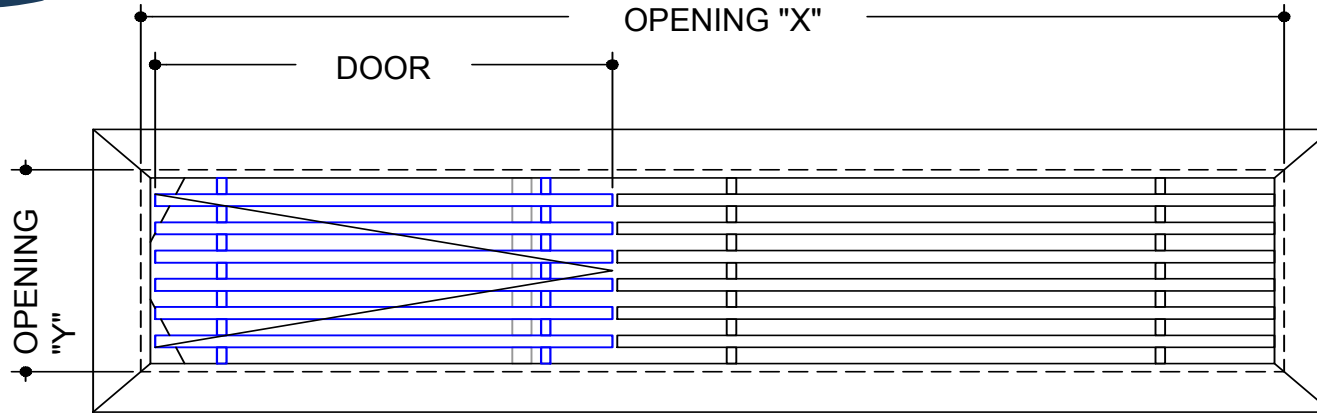
Advanced Architectural Grilleworks
149 Denton Avenue, New Hyde Park, NY 11040 Voice: 516-488-0628
Email: sales@agrilles.com

JOB #:
QUOTE #:



ADVANCED ARCHITECTURAL GRILLEWORKS

CORE STYLE
AAG-110
FRAME STYLE
"B"-frame



MATERIAL:

FINISH:

DEPTH: **3/4"**

DOOR SIZE:

OPENING SIZES		
QTY	X	Y

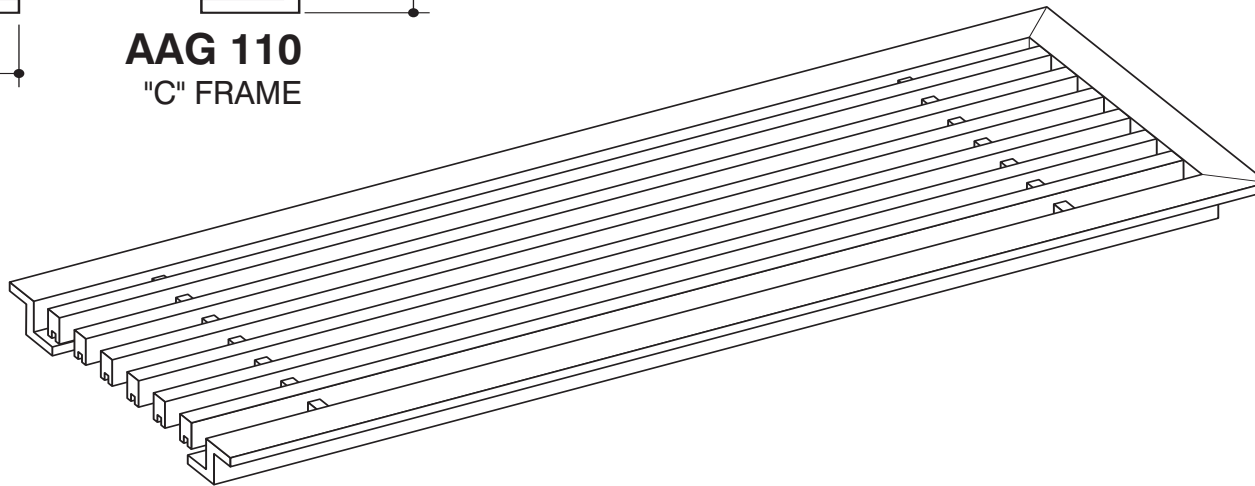
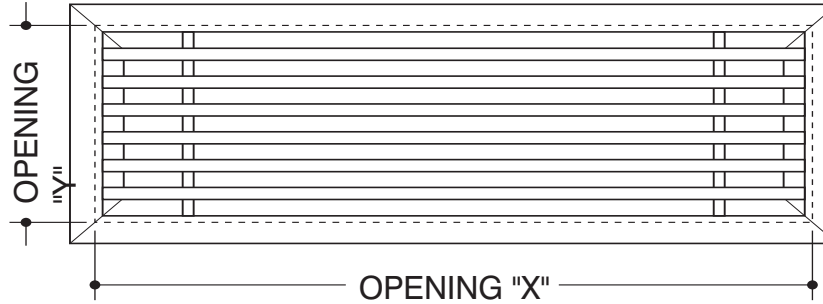
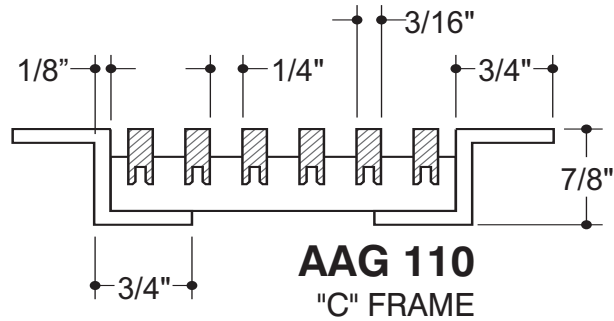
CUSTOMER:	PROJECT:	NOTES:
CONTACT:	ARCHITECT:	
PHONE:	ENGINEER:	
	CONTRACTOR:	

Advanced Architectural Grilleworks 149 Denton Avenue, New Hyde Park, NY 11040 Voice: 516-488-0628 Email: sales@agrilles.com	JOB #:
	QUOTE #:



ADVANCED ARCHITECTURAL GRILLEWORKS

CORE STYLE
AAG-110
 FRAME STYLE
"C"-frame



MATERIAL:

FINISH:

DEPTH: **7/8"**

OPENING SIZES		
QTY	X	Y

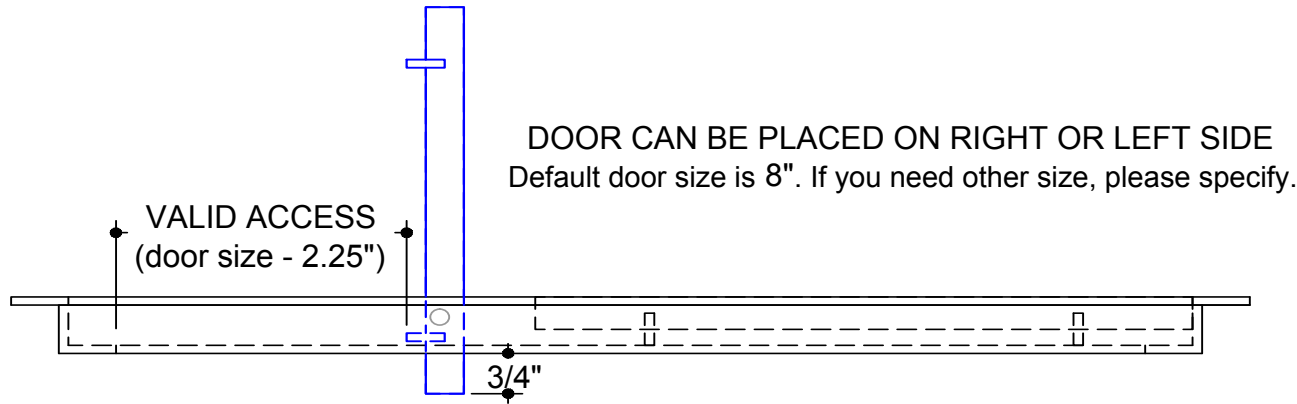
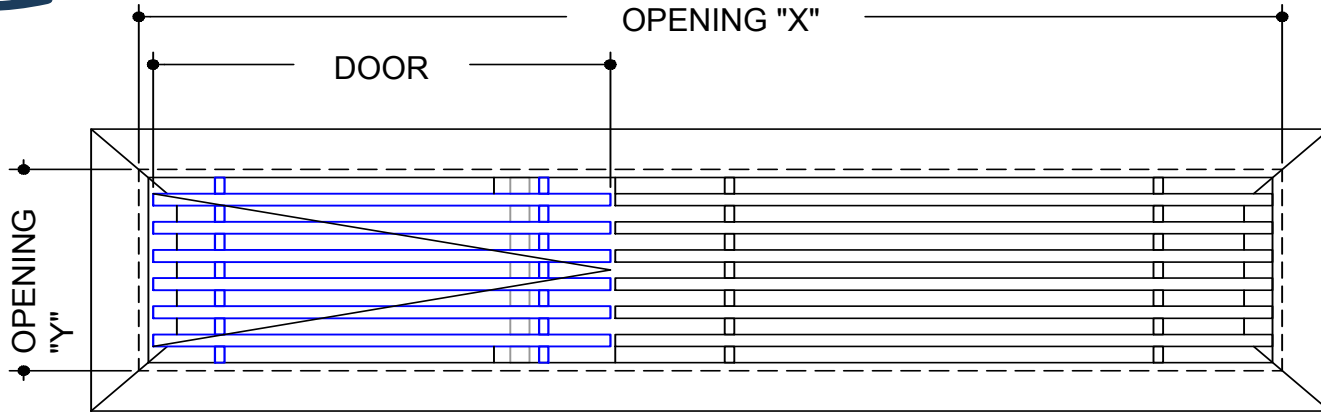
CUSTOMER:	PROJECT:	NOTES:
CONTACT:	ARCHITECT:	
PHONE:	ENGINEER:	
	CONTRACTOR:	

Advanced Architectural Grilleworks 149 Denton Avenue, New Hyde Park, NY 11040 Voice: 516-488-0628 Email: sales@aagrilles.com	JOB #:
	QUOTE #:



ADVANCED ARCHITECTURAL GRILLEWORKS

CORE STYLE
AAG-110
 FRAME STYLE
"C"-frame



MATERIAL:

FINISH:

DEPTH: **7/8"**

DOOR SIZE:

OPENING SIZES		
QTY	X	Y

CUSTOMER:	PROJECT:	NOTES:
CONTACT:	ARCHITECT:	
PHONE:	ENGINEER:	
	CONTRACTOR:	

Advanced Architectural Grilleworks 149 Denton Avenue, New Hyde Park, NY 11040 Voice: 516-488-0628 Email: sales@agrilles.com	JOB #:
	QUOTE #:



ADVANCED ARCHITECTURAL GRILLEWORKS

CORE STYLE
AAG-110

FRAME STYLE
Core Only

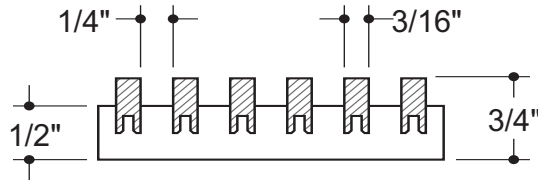
MATERIAL:

FINISH:

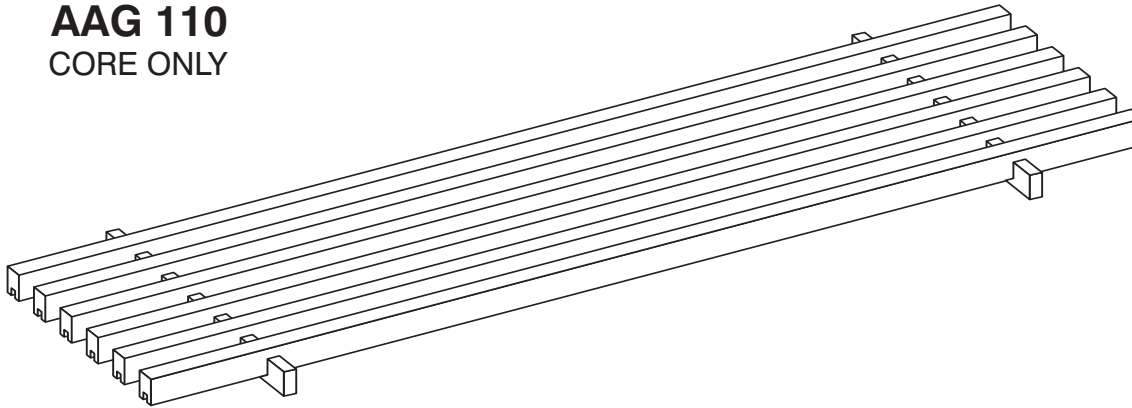
DEPTH: **3/4"**

OPENING SIZES

QTY	X	Y



AAG 110
CORE ONLY



CUSTOMER:	PROJECT:	NOTES:
CONTACT:	ARCHITECT:	
PHONE:	ENGINEER:	
	CONTRACTOR:	

Advanced Architectural Grilleworks

149 Denton Avenue, New Hyde Park, NY 11040 Voice: 516-488-0628
Email: sales@agrilles.com

JOB #:
QUOTE #:



ADVANCED ARCHITECTURAL GRILLEWORKS

CORE STYLE
AAG-110

FRAME STYLE
J Bead*

MATERIAL:

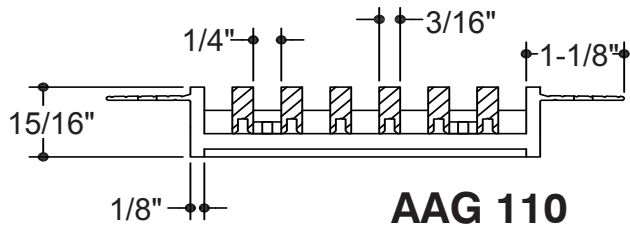
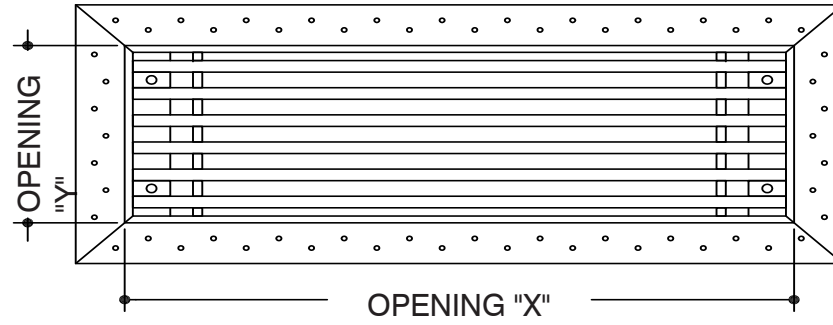
FINISH:

DEPTH: **3/4"**

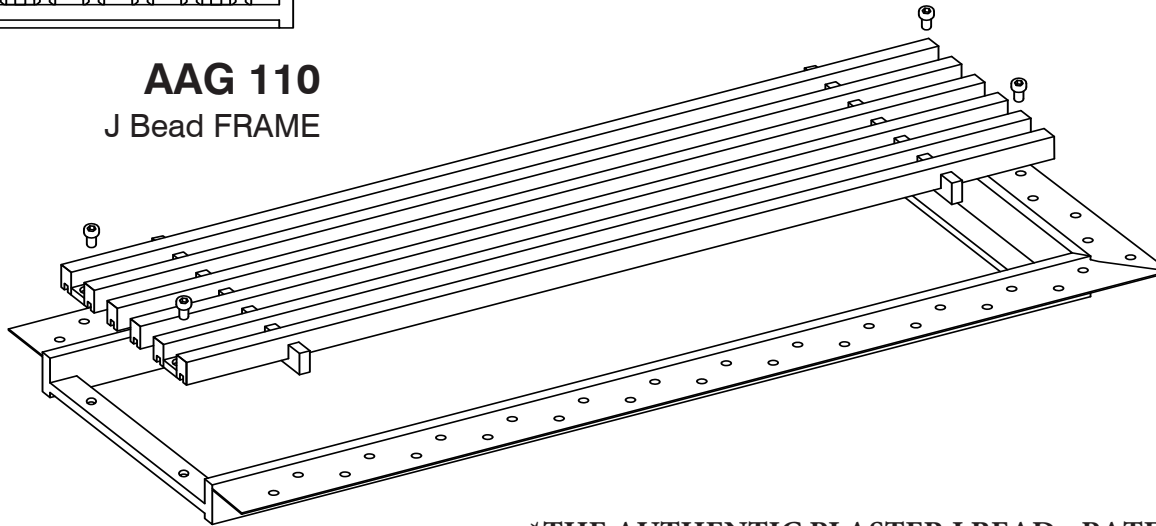
DEPTH: **REMOVABLE**

OPENING SIZES

QTY	X	Y



AAG 110
J Bead FRAME



*THE AUTHENTIC PLASTER J BEAD - PATENT # 9,765,988

CUSTOMER:	PROJECT:	NOTES:
CONTACT:	ARCHITECT:	
PHONE:	ENGINEER:	
	CONTRACTOR:	

Advanced Architectural Grilleworks
 149 Denton Avenue, New Hyde Park, NY 11040 Voice: 516-488-0628
 Email: sales@agrilles.com

JOB #:
 QUOTE #: