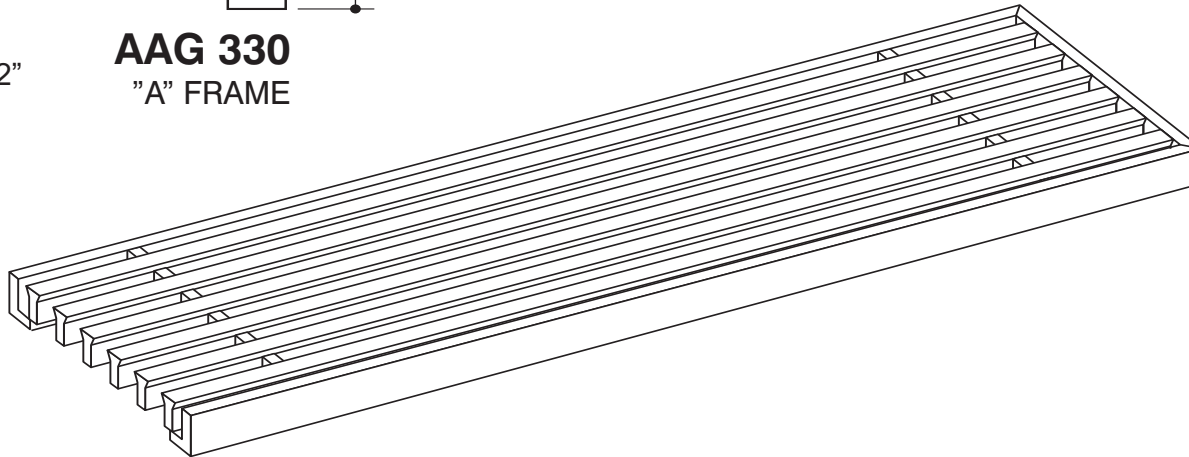
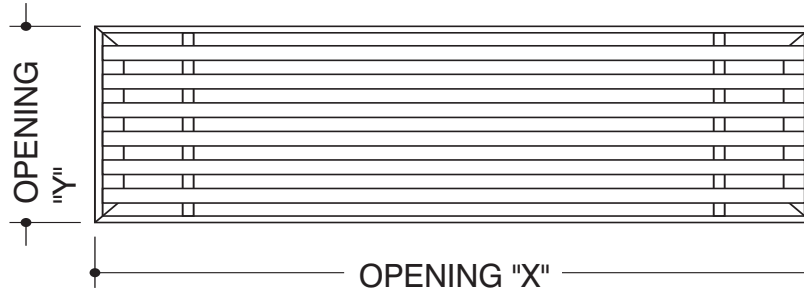
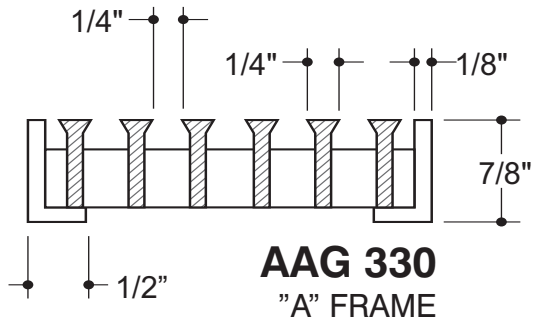




# ADVANCED ARCHITECTURAL GRILLEWORKS

CORE STYLE  
**AAG-330**

FRAME STYLE  
**"A"-frame**



MATERIAL: \_\_\_\_\_

FINISH: \_\_\_\_\_

DEPTH: **7/8"**

OPENING SIZES		
QTY	X	Y

CUSTOMER:	PROJECT:	NOTES:
CONTACT:	ARCHITECT:	
PHONE:	ENGINEER:	
	CONTRACTOR:	

<b>Advanced Architectural Grilleworks</b> 149 Denton Avenue, New Hyde Park, NY 11040 Voice: 516-488-0628 Email: sales@agrilles.com	JOB #:
	QUOTE #:



# ADVANCED ARCHITECTURAL GRILLEWORKS

CORE STYLE  
**AAG-330**  
 FRAME STYLE  
**"A"-frame**

MATERIAL:

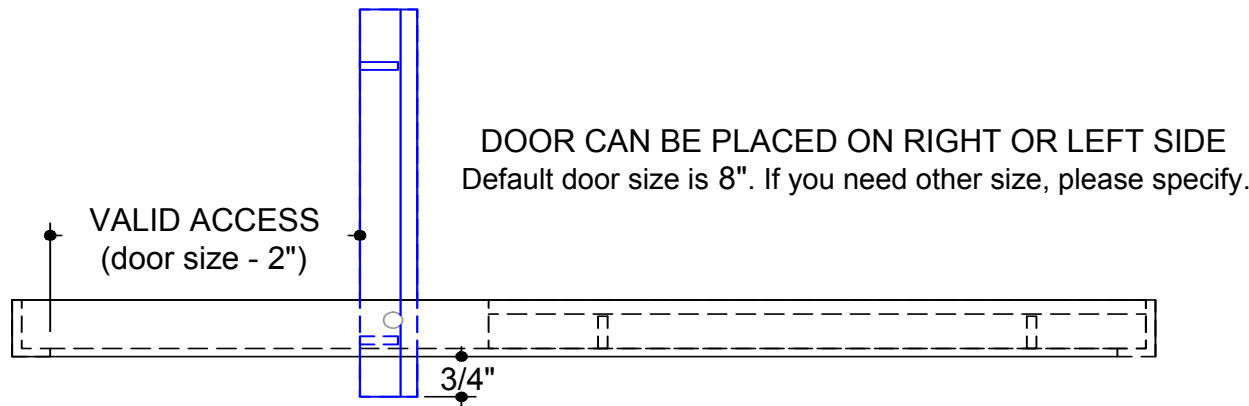
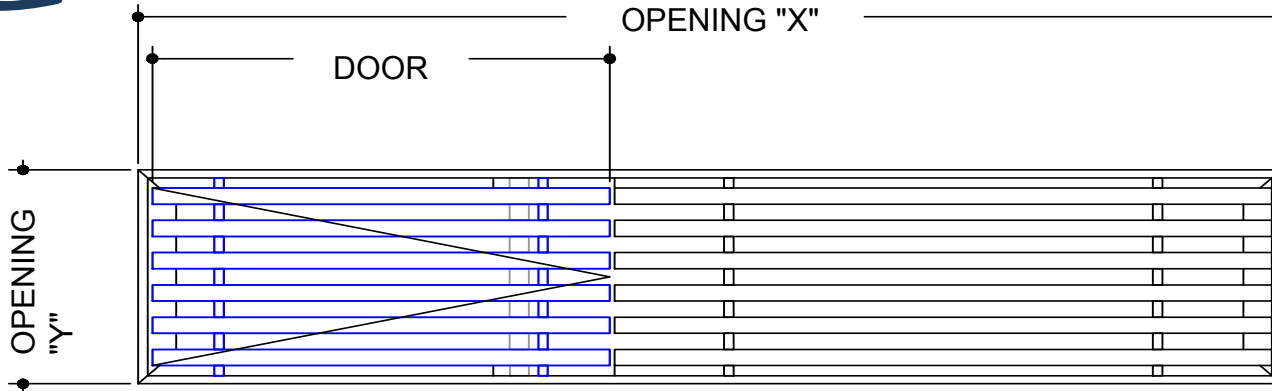
FINISH:

DEPTH: **7/8"**

DOOR SIZE:

### OPENING SIZES

QTY	X	Y



CUSTOMER:	PROJECT:	NOTES:
CONTACT:	ARCHITECT:	
PHONE:	ENGINEER:	
	CONTRACTOR:	

**Advanced Architectural Grilleworks**  
 149 Denton Avenue, New Hyde Park, NY 11040 Voice: 516-488-0628  
 Email: sales@agrilles.com

JOB #:  
 QUOTE #:



# ADVANCED ARCHITECTURAL GRILLEWORKS

CORE STYLE  
**AAG-330**

FRAME STYLE  
**Band frame**

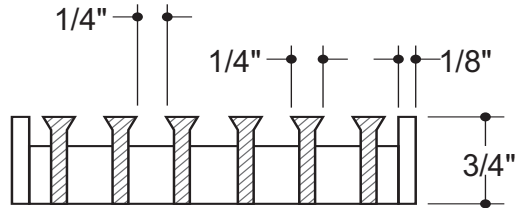
MATERIAL:

FINISH:

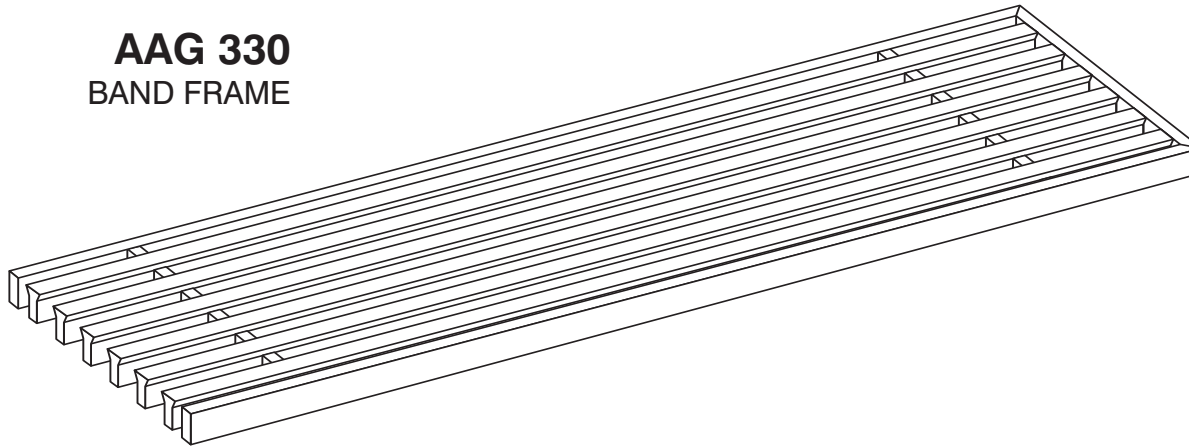
DEPTH: **3/4"**

### OPENING SIZES

QTY	X	Y



**AAG 330**  
BAND FRAME



CUSTOMER:  
CONTACT:  
PHONE:

PROJECT:  
ARCHITECT:  
ENGINEER:  
CONTRACTOR:

NOTES:

## Advanced Architectural Grilleworks

149 Denton Avenue, New Hyde Park, NY 11040 Voice: 516-488-0628  
Email: sales@agrilles.com

JOB #:

QUOTE #:



# ADVANCED ARCHITECTURAL GRILLEWORKS

CORE STYLE  
**AAG-330**

FRAME STYLE  
**Band frame**

MATERIAL:

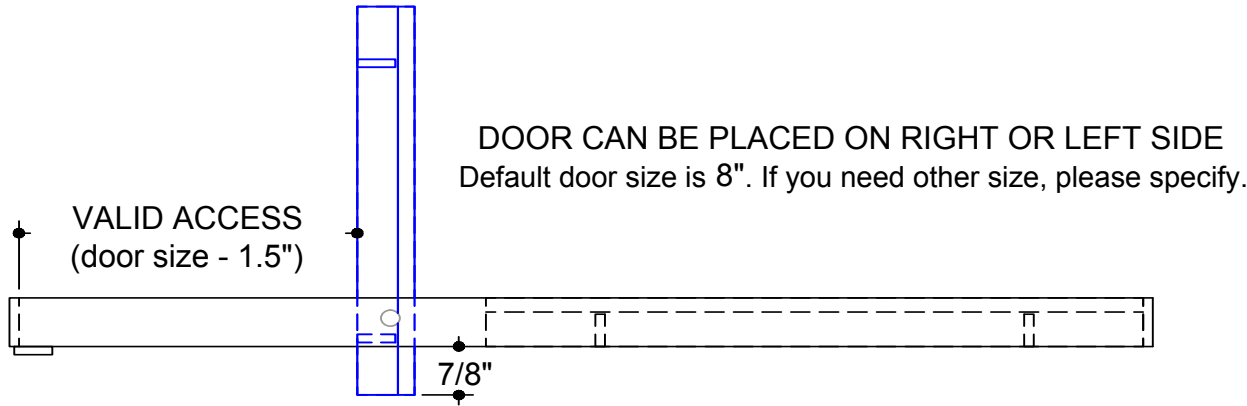
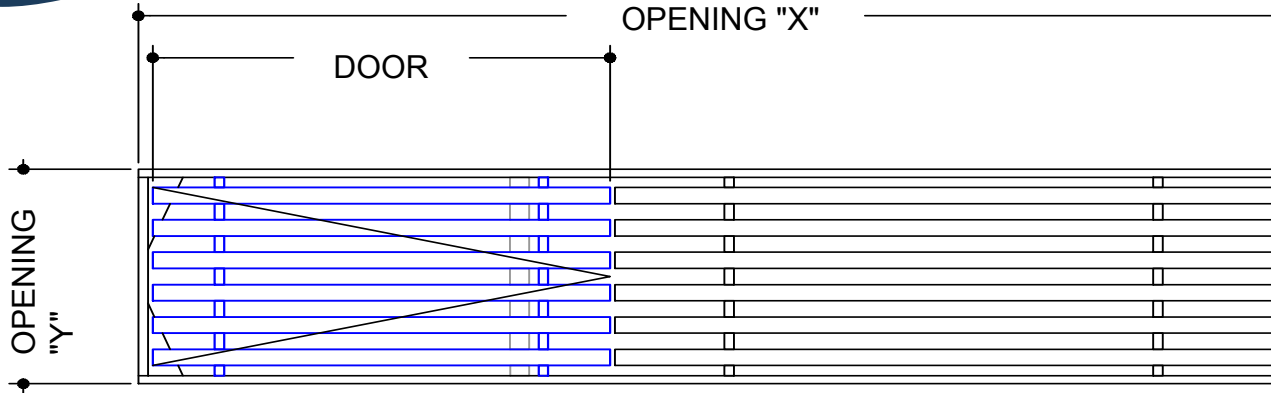
FINISH:

DEPTH: **3/4"**

DOOR SIZE:

### OPENING SIZES

QTY	X	Y



CUSTOMER:

PROJECT:

NOTES:

CONTACT:

ARCHITECT:

ENGINEER:

PHONE:

CONTRACTOR:

**Advanced Architectural Grilleworks**

149 Denton Avenue, New Hyde Park, NY 11040 Voice: 516-488-0628

Email: sales@agrilles.com

JOB #:

QUOTE #:



# ADVANCED ARCHITECTURAL GRILLEWORKS

CORE STYLE  
**AAG-330**

FRAME STYLE  
**"B"-frame**

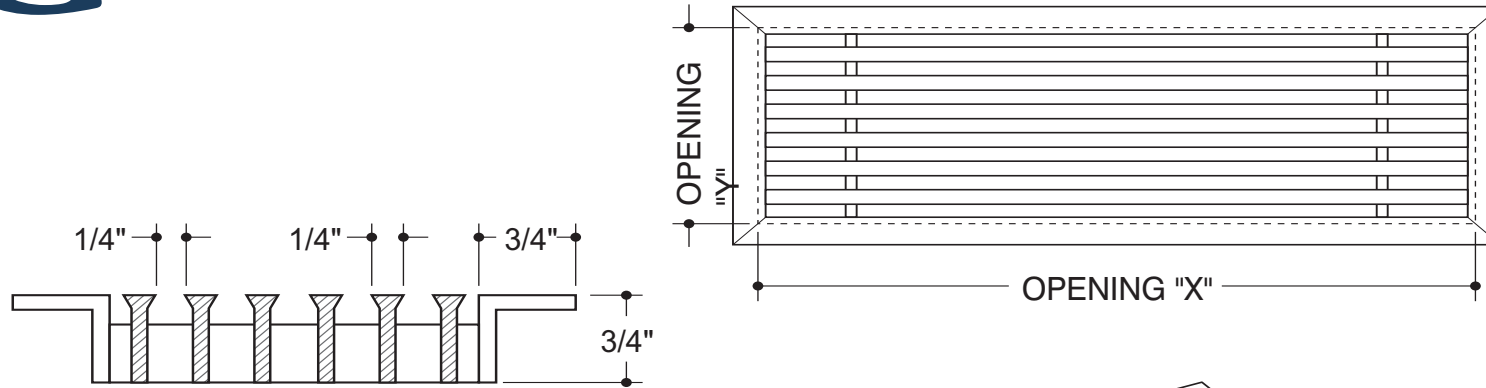
MATERIAL:

FINISH:

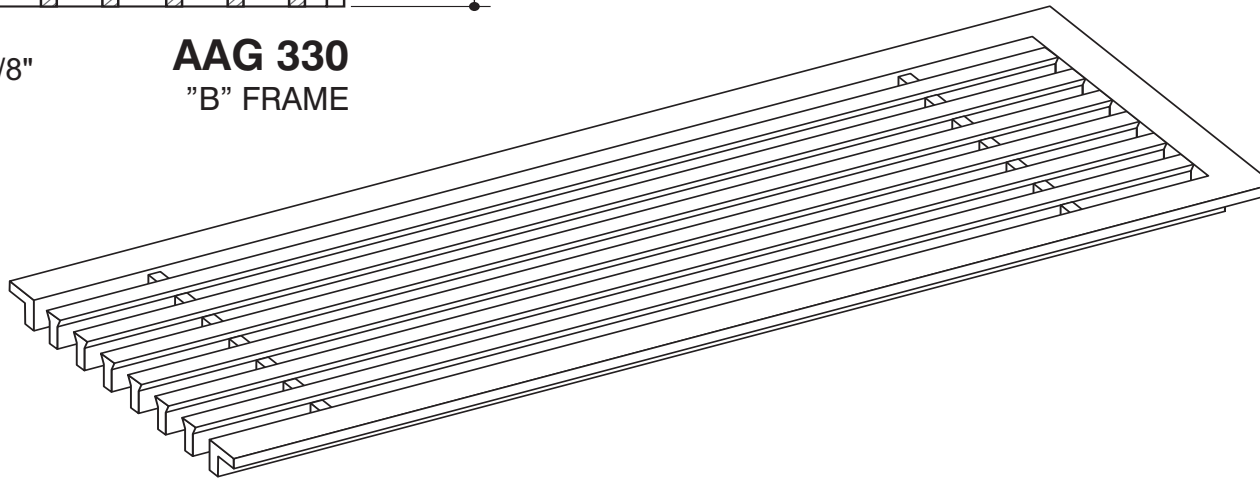
DEPTH: **3/4"**

### OPENING SIZES

QTY	X	Y



**AAG 330**  
"B" FRAME



CUSTOMER:

---

CONTACT:

---

PHONE:

PROJECT:

---

ARCHITECT:

---

ENGINEER:

---

CONTRACTOR:

NOTES:

---



---



---

## Advanced Architectural Grilleworks

149 Denton Avenue, New Hyde Park, NY 11040 Voice: 516-488-0628  
Email: sales@agrilles.com

JOB #:

QUOTE #:



# ADVANCED ARCHITECTURAL GRILLEWORKS

CORE STYLE  
**AAG-330**

FRAME STYLE  
**"B"-frame**

MATERIAL:

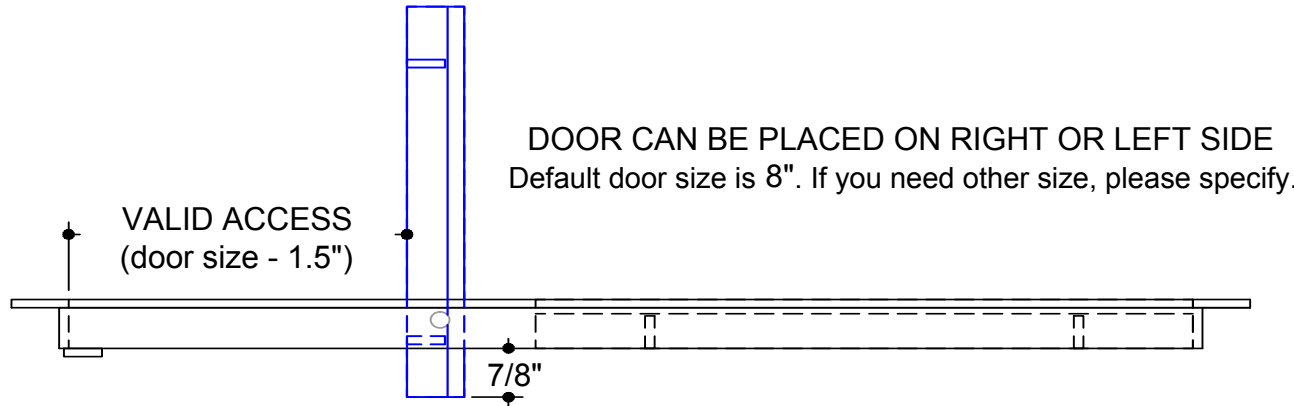
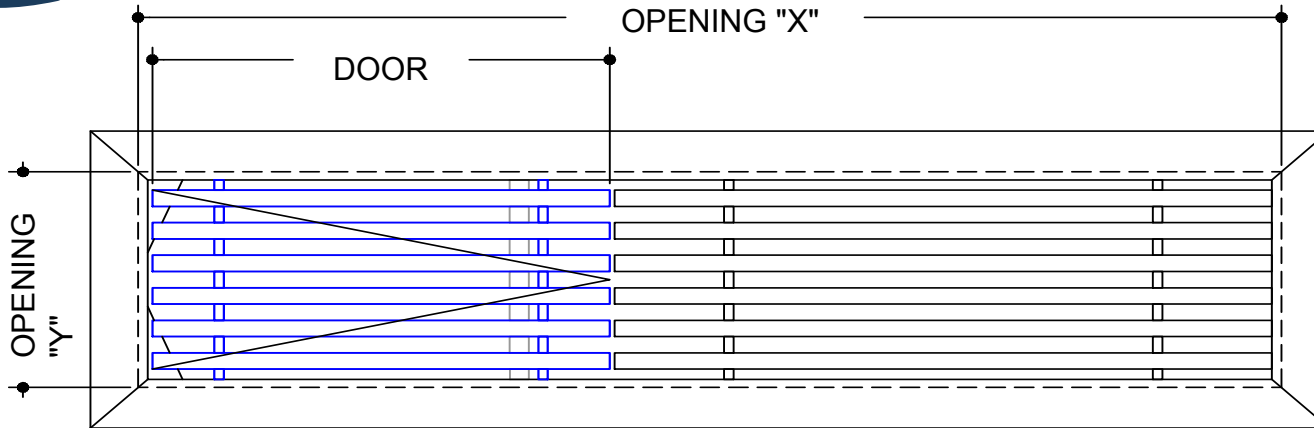
FINISH:

DEPTH: **3/4"**

DOOR SIZE:

### OPENING SIZES

QTY	X	Y



CUSTOMER:

CONTACT:

PHONE:

PROJECT:

ARCHITECT:

ENGINEER:

CONTRACTOR:

NOTES:

**Advanced Architectural Grilleworks**  
 149 Denton Avenue, New Hyde Park, NY 11040 Voice: 516-488-0628  
 Email: sales@agrilles.com

JOB #:

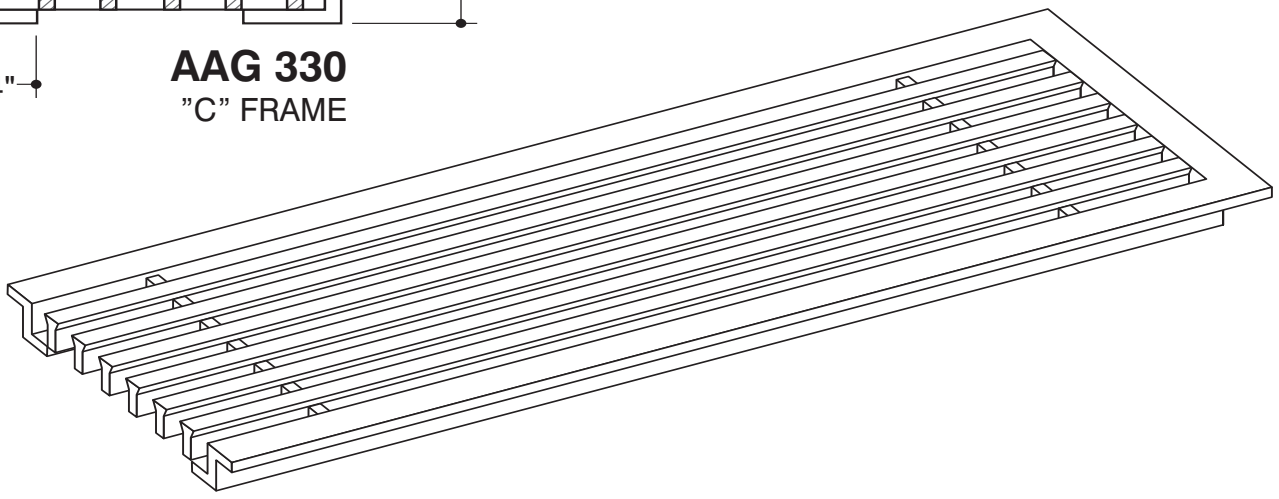
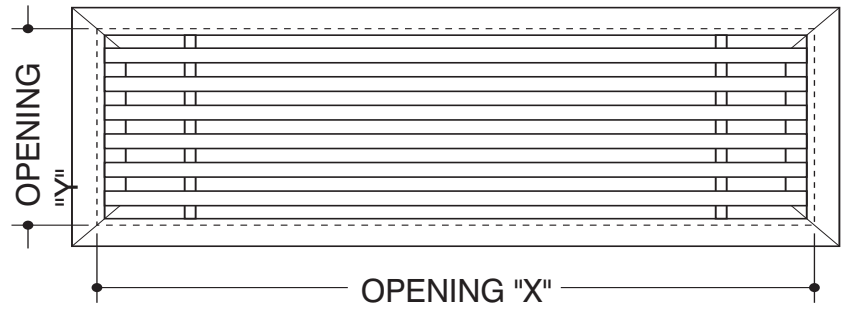
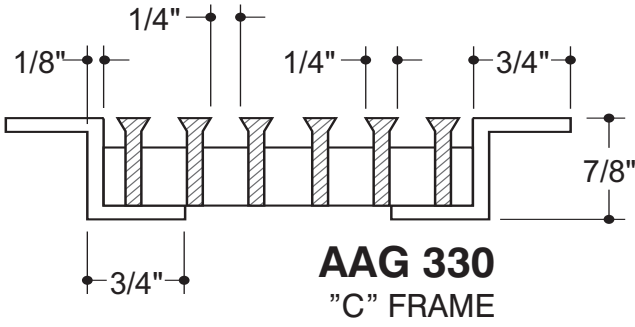
QUOTE #:



# ADVANCED ARCHITECTURAL GRILLEWORKS

CORE STYLE  
**AAG-330**

FRAME STYLE  
**"C"-frame**



MATERIAL:

FINISH:

DEPTH: **7/8"**

OPENING SIZES		
QTY	X	Y

CUSTOMER:	PROJECT:	NOTES:
CONTACT:	ARCHITECT:	
PHONE:	ENGINEER:	
	CONTRACTOR:	

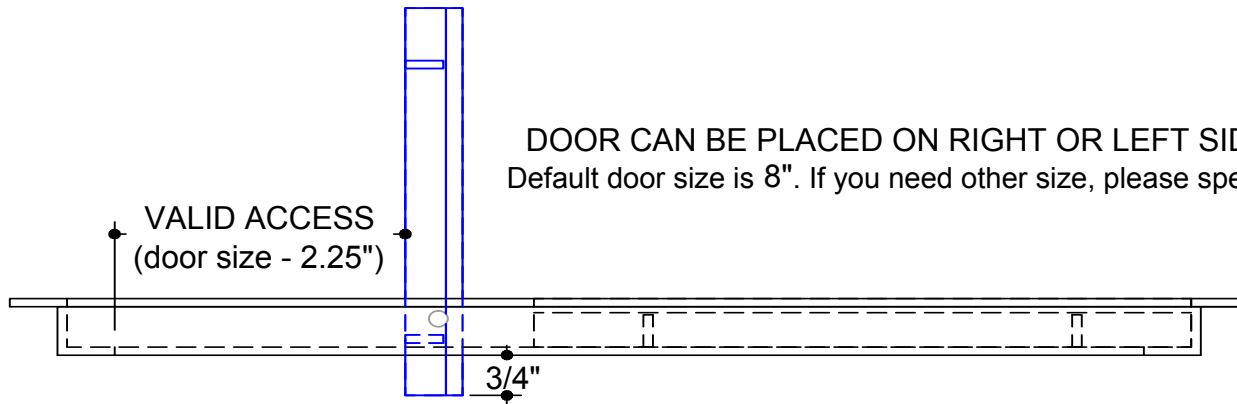
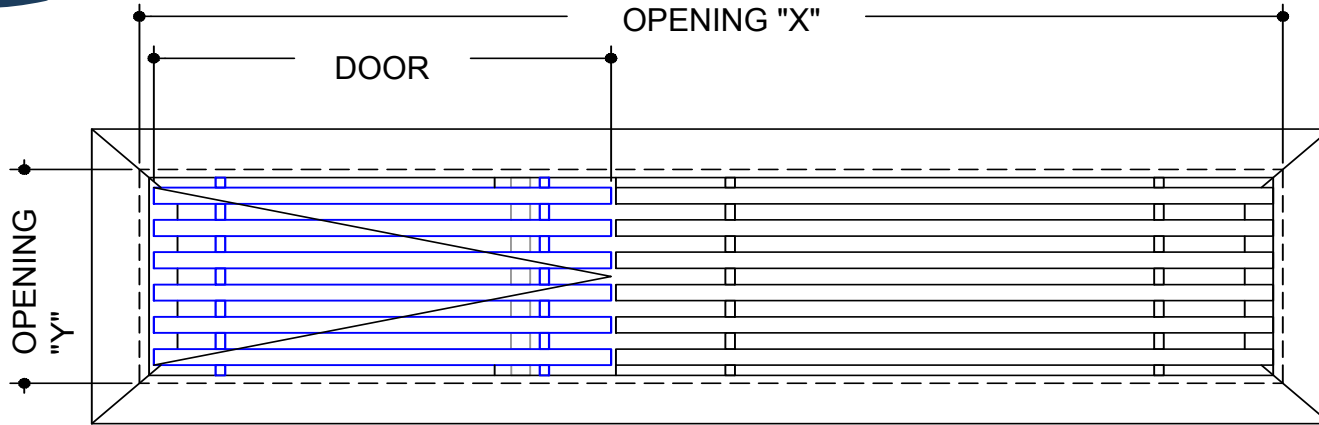
**Advanced Architectural Grilleworks**  
149 Denton Avenue, New Hyde Park, NY 11040 Voice: 516-488-0628  
Email: sales@agrilles.com

JOB #:

QUOTE #:



# ADVANCED ARCHITECTURAL GRILLEWORKS



DOOR CAN BE PLACED ON RIGHT OR LEFT SIDE  
 Default door size is 8". If you need other size, please specify.

CORE STYLE  
**AAG-330**  
 FRAME STYLE  
**"C"-frame**

MATERIAL:

FINISH:

DEPTH: **7/8"**

DOOR SIZE:

**OPENING SIZES**

QTY	X	Y

CUSTOMER:	PROJECT:	NOTES:
CONTACT:	ARCHITECT:	
PHONE:	ENGINEER:	
	CONTRACTOR:	

**Advanced Architectural Grilleworks**  
 149 Denton Avenue, New Hyde Park, NY 11040 Voice: 516-488-0628  
 Email: sales@agrilles.com

JOB #:

QUOTE #:





# ADVANCED ARCHITECTURAL GRILLEWORKS

CORE STYLE  
**AAG-330**

FRAME STYLE  
**Core Only**

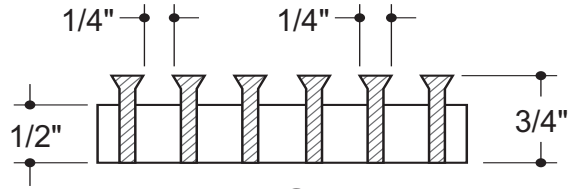
MATERIAL:

FINISH:

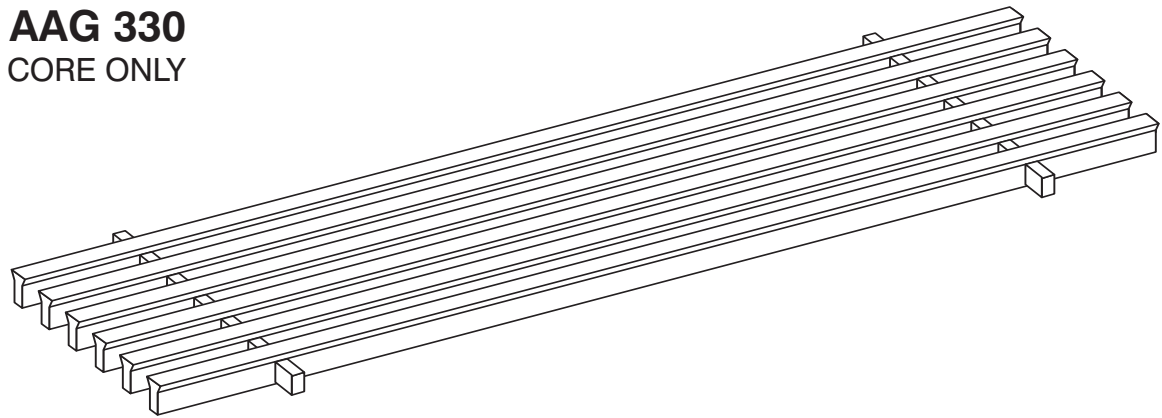
DEPTH: **3/4"**

### OPENING SIZES

QTY	X	Y



**AAG 330**  
CORE ONLY



CUSTOMER:	PROJECT:	NOTES:
CONTACT:	ARCHITECT:	
PHONE:	ENGINEER:	
	CONTRACTOR:	

**Advanced Architectural Grilleworks**  
149 Denton Avenue, New Hyde Park, NY 11040 Voice: 516-488-0628  
Email: sales@aagrilles.com

JOB #:  
QUOTE #:



# ADVANCED ARCHITECTURAL GRILLEWORKS

CORE STYLE  
**AAG-330**

FRAME STYLE  
**J Bead\***

MATERIAL:

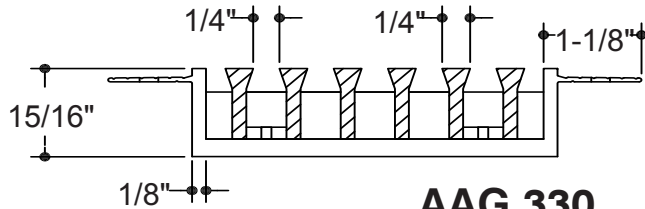
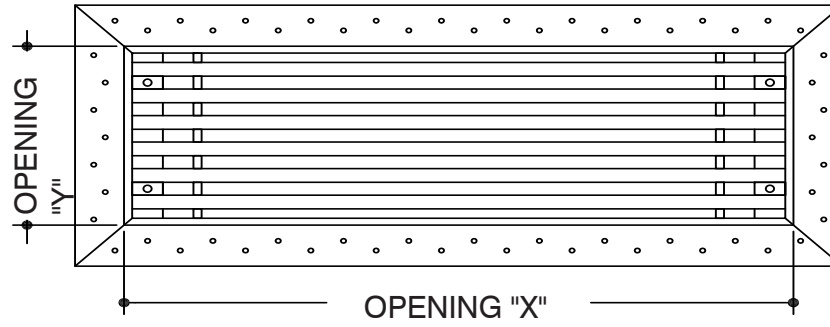
FINISH:

DEPTH:  
**15/16"**

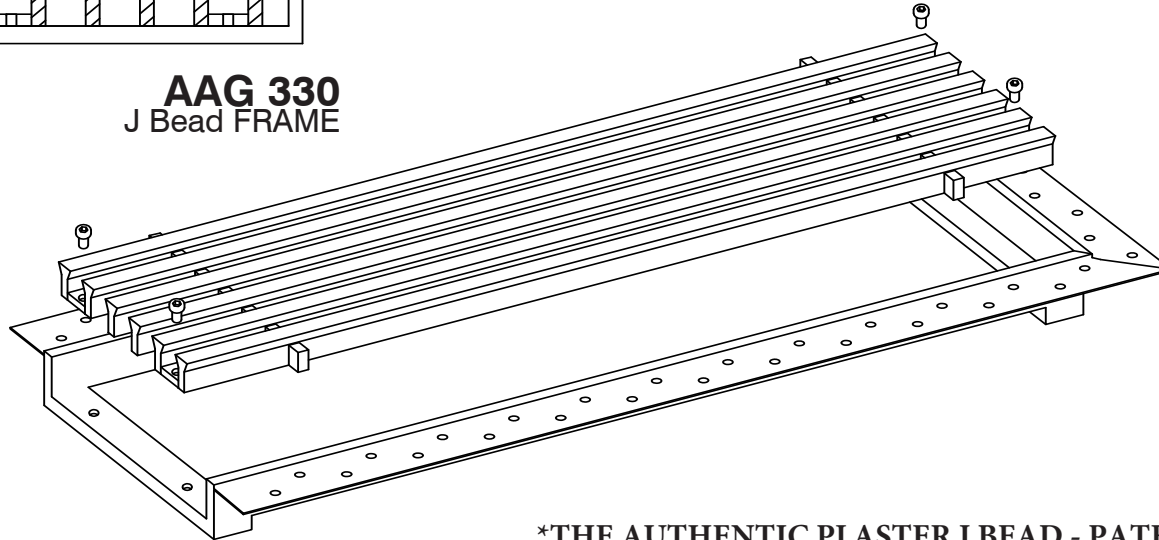
CORE:  
**REMOVABLE**

### OPENING SIZES

QTY	X	Y



**AAG 330**  
J Bead FRAME



**\*THE AUTHENTIC PLASTER J BEAD - PATENT # 9,765,988**

CUSTOMER:

---

CONTACT:

---

PHONE:

PROJECT:

---

ARCHITECT:

---

ENGINEER:

---

CONTRACTOR:

NOTES:

---



---



---

**Advanced Architectural Grilleworks**  
 149 Denton Avenue, New Hyde Park, NY 11040 Voice: 516-488-0628  
 Email: sales@agrilles.com

JOB #:

---

QUOTE #: