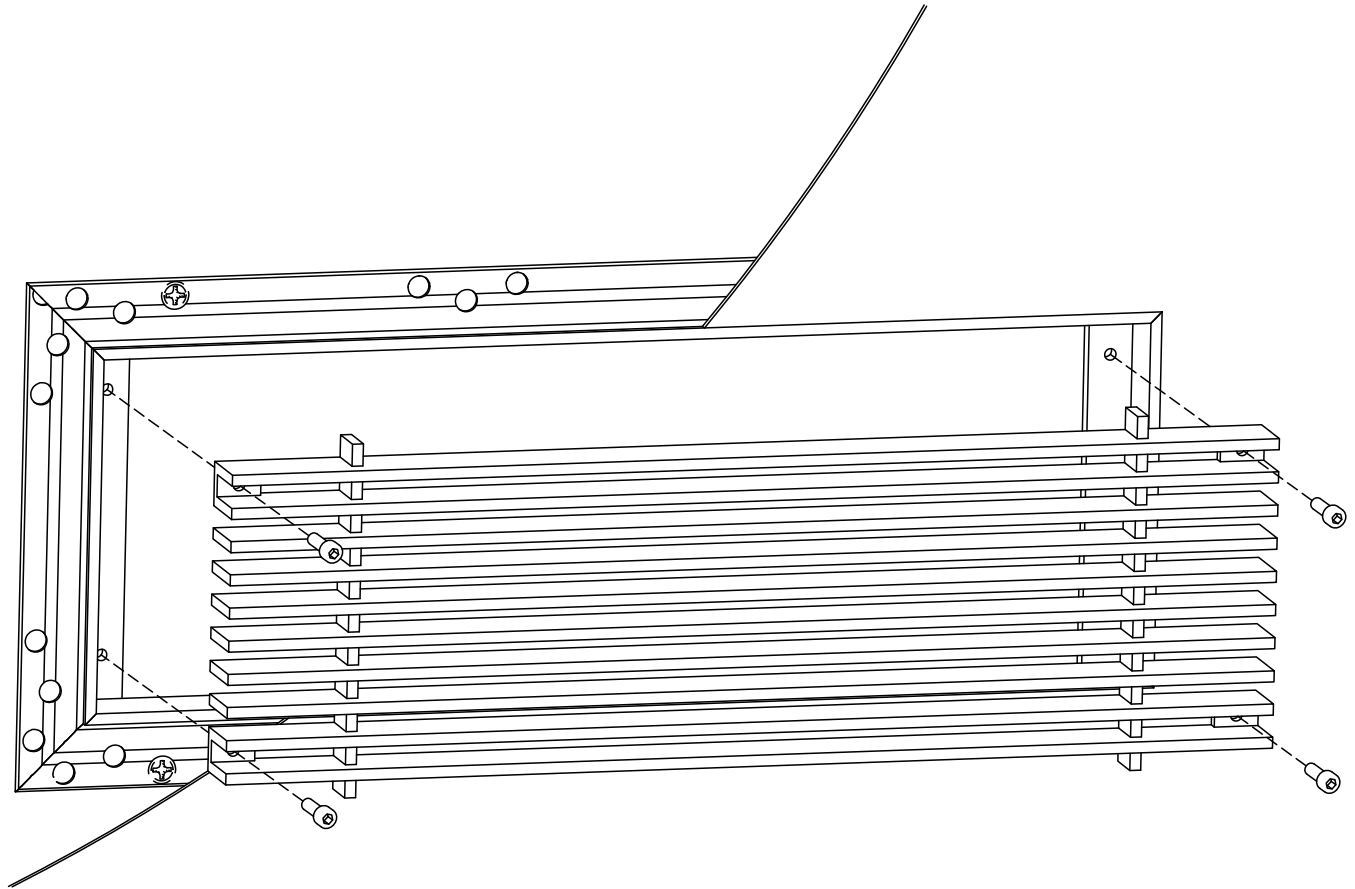




ADVANCED ARCHITECTURAL GRILLEWORKS

22. PLASTER J-BEAD FRAME[®]

Patent #9,765,988



AAG Tip: Excellent choice when access is important.

Used for multiple applications:

- Ceiling
- Wall

AAG provides mounting fasteners with matching finish.

SECTION NAME: AAG100 J-Bead Frame

TITLE: Installation Detail # 22

DRAWN BY: AAG DRAWING #: 22-1

DATE: 11-30-18 SCALE: Not To Scale

Advanced Architectural Grilleworks
149 Denton Avenue, New Hyde Park, NY 11040
Voice: 516-488-0628
Email: sales@aagrilles.com