

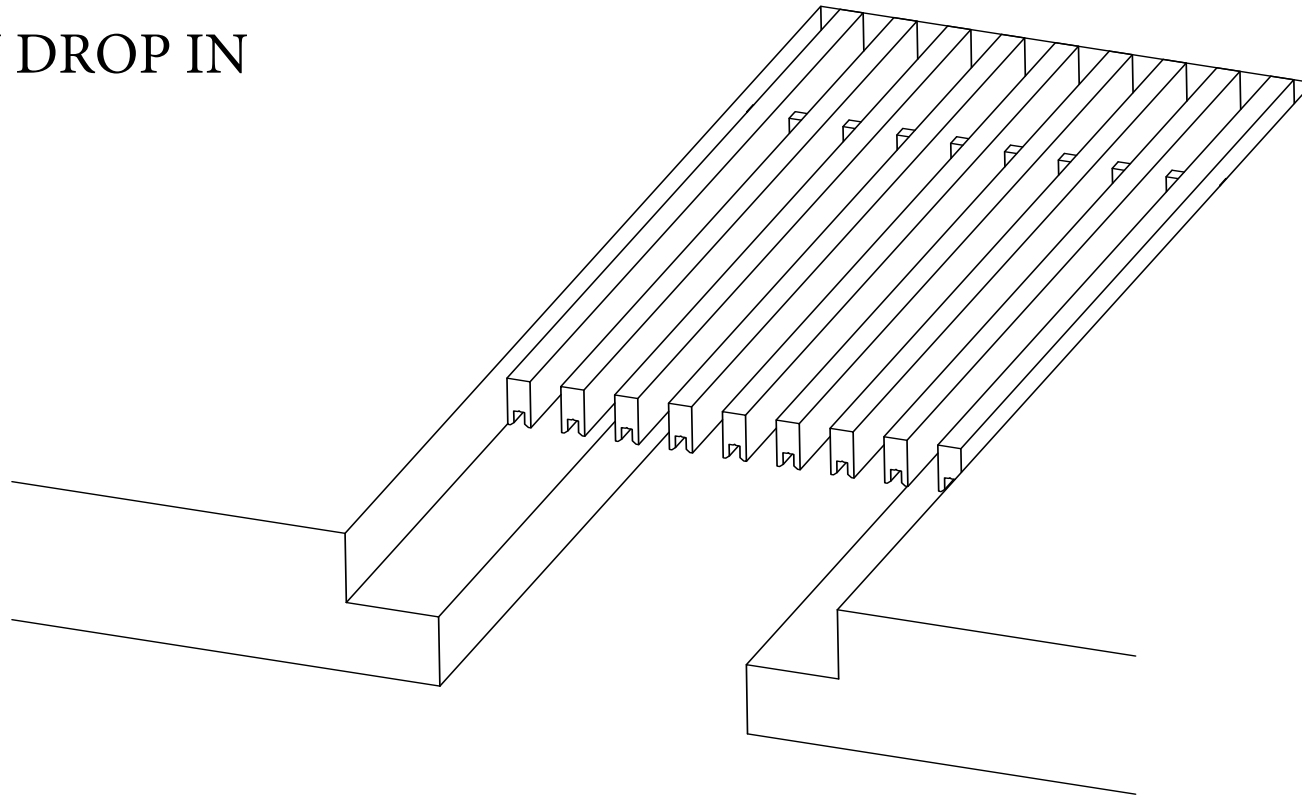


ADVANCED ARCHITECTURAL GRILLEWORKS

Creating Artistry in Architectural Grilles & Metal

Installation Detail # 1

CORE ONLY DROP IN



Drop in core which can be used for multiple applications where either blocking, wood work, angle or support is in place for the core to rest upon. Used on sills, radiators and enclosure covers.

SECTION NAME: AAG110 Core Only	
TITLE: Installation Detail # 1	
DRAWN BY: AAG	DRAWING #: 01-1
DATE: 11-30-18	SCALE: Not To Scale

Advanced Architectural Grilleworks
149 Denton Avenue, New Hyde Park, NY 11040
Voice: 516-488-0628
Email: sales@aagrilles.com