

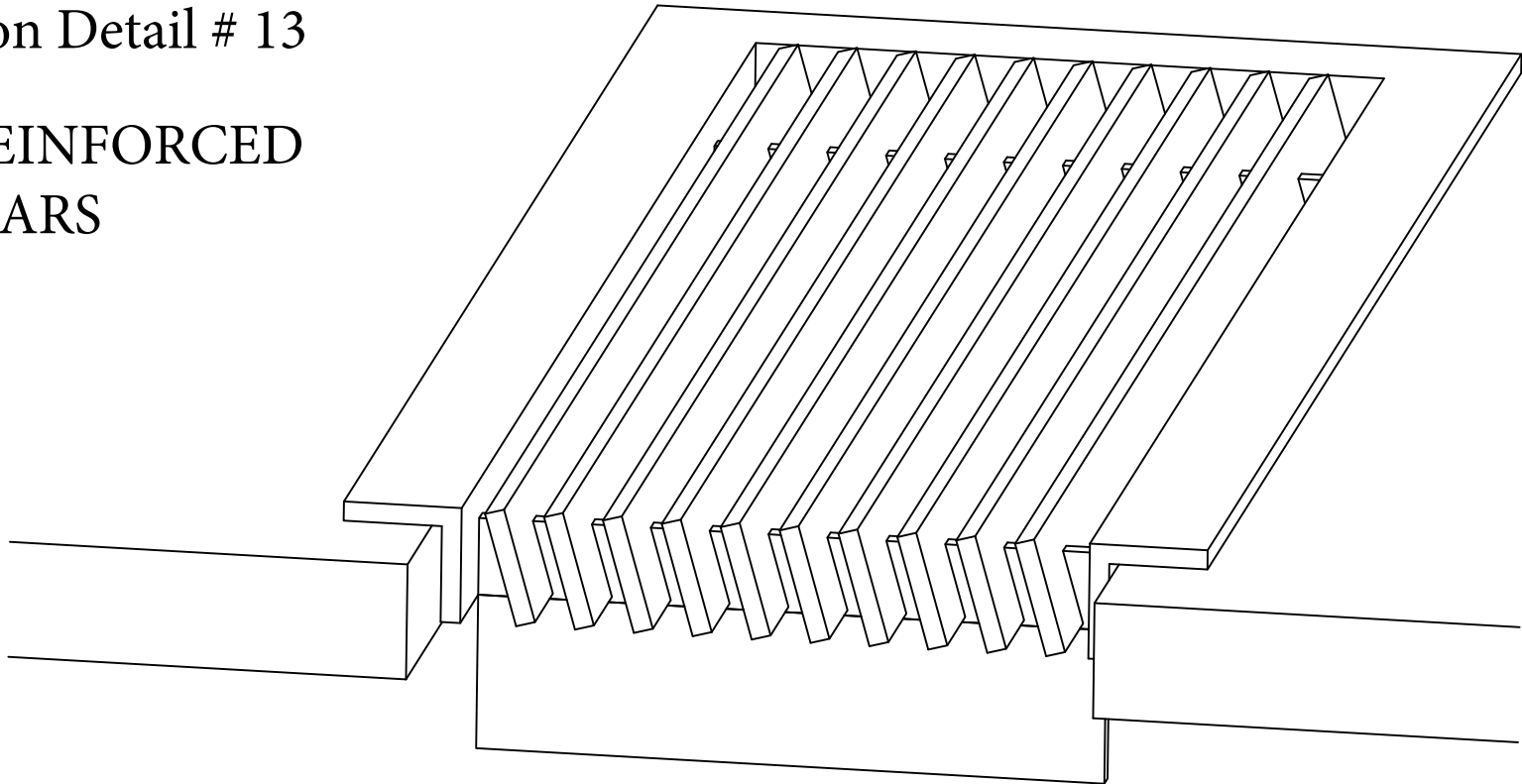


ADVANCED ARCHITECTURAL GRILLEWORKS

Creating Artistry in Architectural Grilles & Metal

Installation Detail # 13

WITH REINFORCED
CROSS BARS



AAG Tip: We will fabricate the neck
1/8" smaller than your opening.

*Used for multiple applications:
Floor/heavy traffic application.*

SECTION NAME: AAG400 B Frame

TITLE: Installation Detail # 13

DRAWN BY: AAG

DRAWING #: 13-1

DATE: 11-30-18

SCALE: Not To Scale

Advanced Architectural Grilleworks

149 Denton Avenue, New Hyde Park, NY 11040

Voice: 516-488-0628

Email: sales@agrilles.com