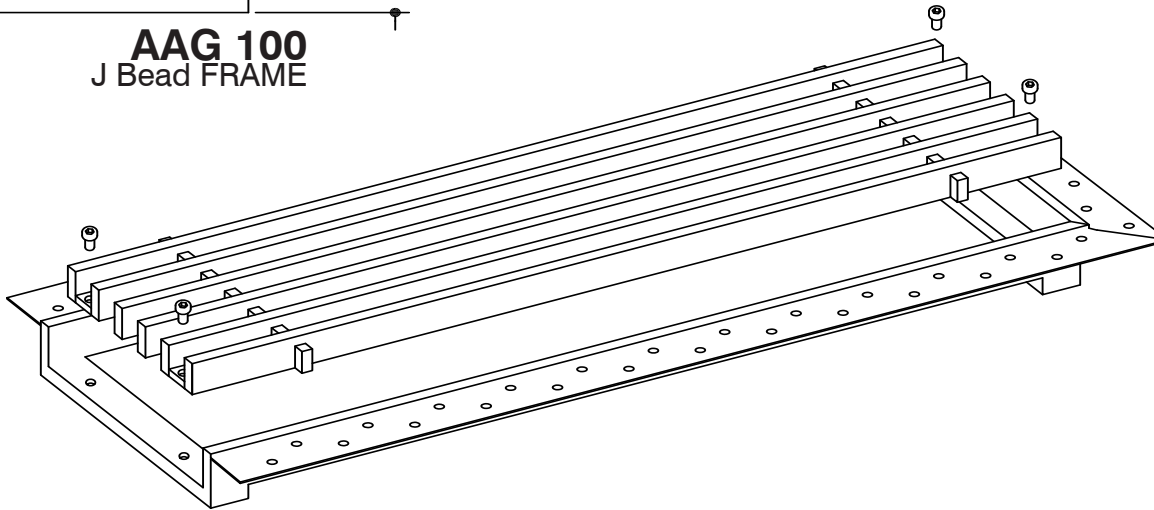
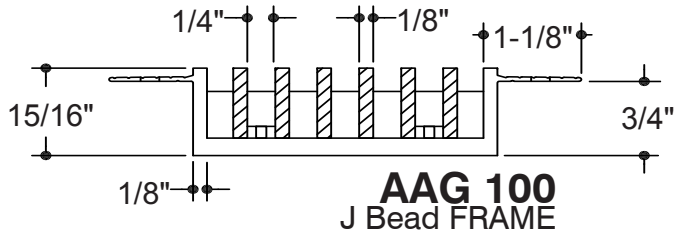
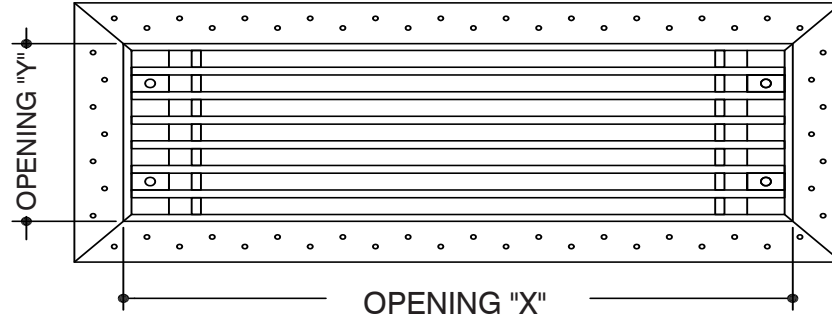




ADVANCED ARCHITECTURAL GRILLEWORKS

*THE AUTHENTIC AND ONLY PATENTED PLASTER J BEAD - PATENT #'s 9,765,988 # 10,871,305



CORE STYLE
AAG-100

FRAME STYLE
J Bead*

MATERIAL:

FINISH:

DEPTH: **15/16"**

CORE: **REMOVABLE**

OPENING SIZES

QTY	X	Y

CUSTOMER:	PROJECT:	NOTES:
CONTACT:	ARCHITECT:	
PHONE:	ENGINEER:	
	CONTRACTOR:	

Advanced Architectural Grilleworks
 149 Denton Avenue, New Hyde Park, NY 11040 Voice: 516-488-0628
 Email: sales@agrilles.com

JOB #:
 QUOTE #:



ADVANCED ARCHITECTURAL GRILLEWORKS

*THE AUTHENTIC AND ONLY PATENTED PLASTER J BEAD - PATENT #'s 9,765,988 # 10,871,305

CORE STYLE
AAG-110

FRAME STYLE
J Bead*

MATERIAL:

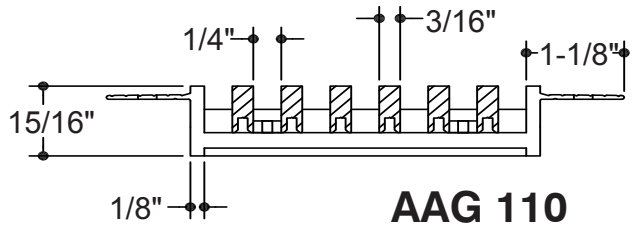
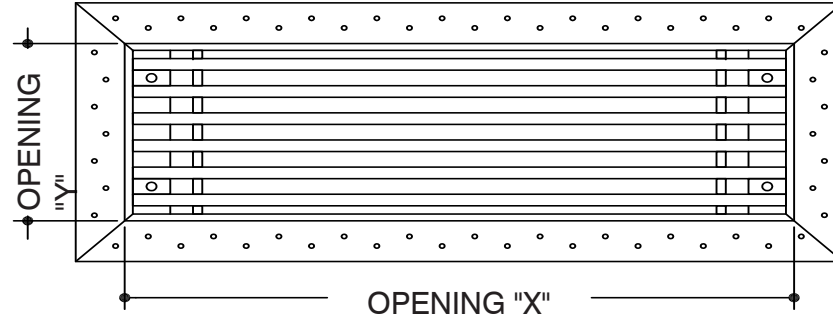
FINISH:

DEPTH: **3/4"**

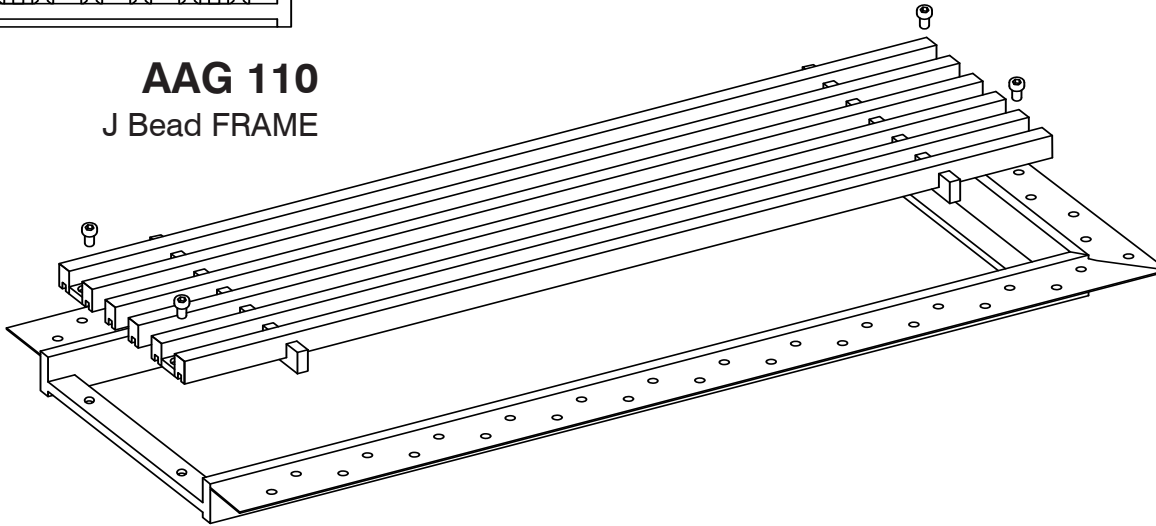
DEPTH: **REMOVABLE**

OPENING SIZES

QTY	X	Y



AAG 110
J Bead FRAME



CUSTOMER:

CONTACT:

PHONE:

PROJECT:

ARCHITECT:

ENGINEER:

CONTRACTOR:

NOTES:

Advanced Architectural Grilleworks
 149 Denton Avenue, New Hyde Park, NY 11040 Voice: 516-488-0628
 Email: sales@agrilles.com

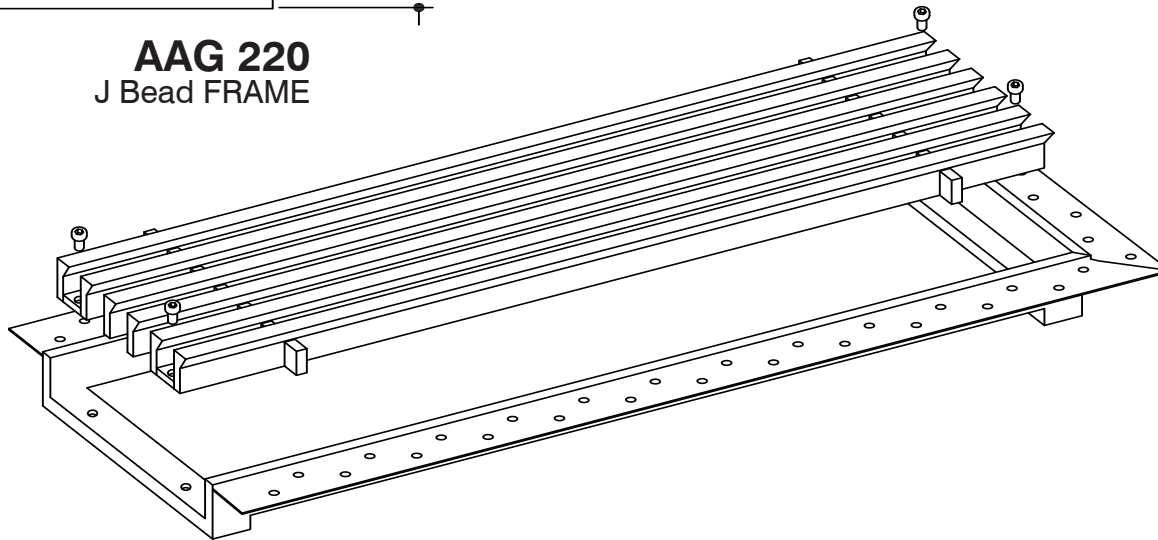
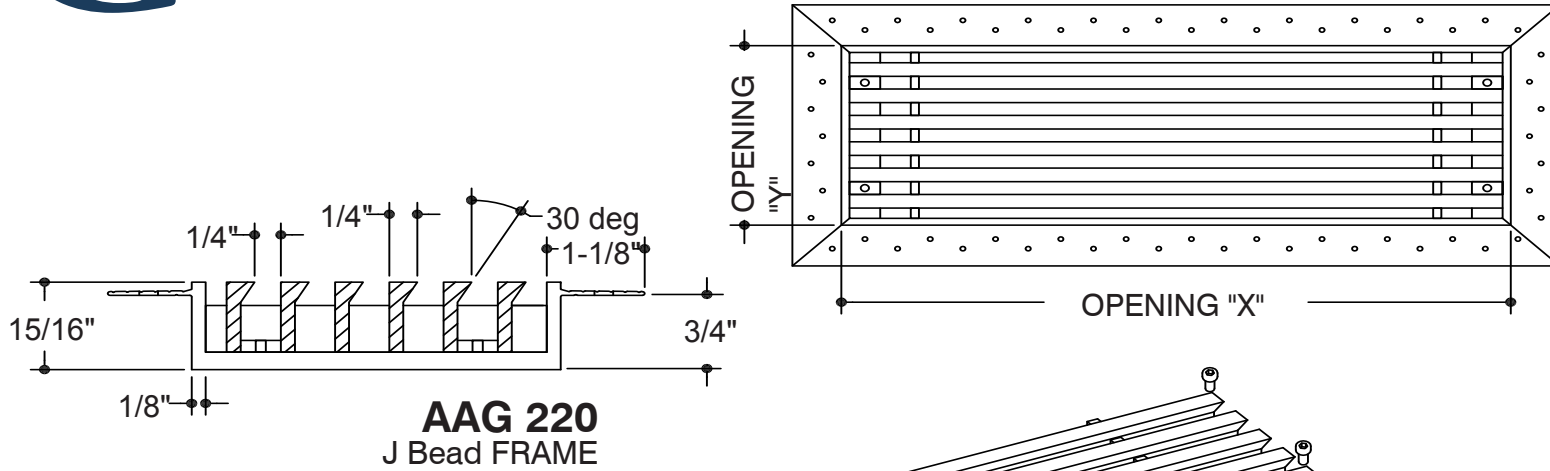
JOB #:

QUOTE #:



ADVANCED ARCHITECTURAL GRILLEWORKS

*THE AUTHENTIC AND ONLY PATENTED PLASTER J BEAD - PATENT #'s 9,765,988 # 10,871,305



CORE STYLE
AAG-220
FRAME STYLE
J Bead*

MATERIAL:
FINISH:
DEPTH: **15/16"**
CORE: **REMOVABLE**

OPENING SIZES

QTY	X	Y

CUSTOMER:	PROJECT:	NOTES:
CONTACT:	ARCHITECT:	
PHONE:	ENGINEER:	
	CONTRACTOR:	

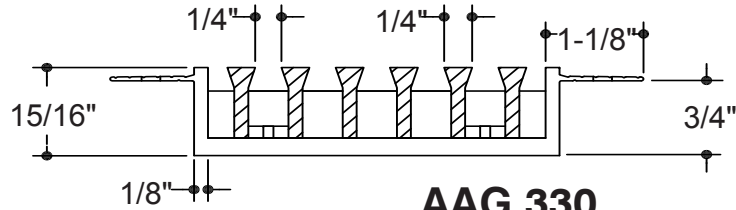
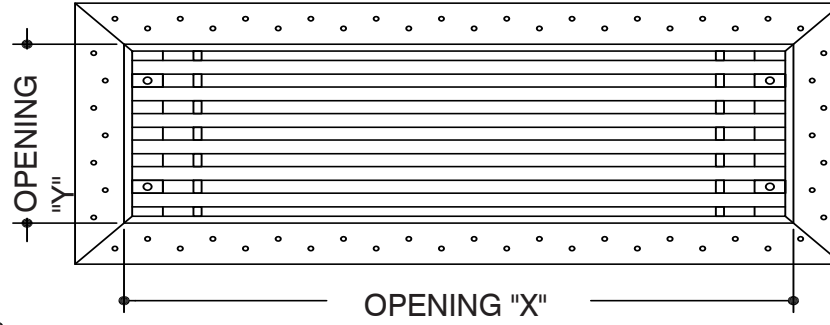
Advanced Architectural Grilleworks
149 Denton Avenue, New Hyde Park, NY 11040 Voice: 516-488-0628
Email: sales@agrilles.com

JOB #:
QUOTE #:

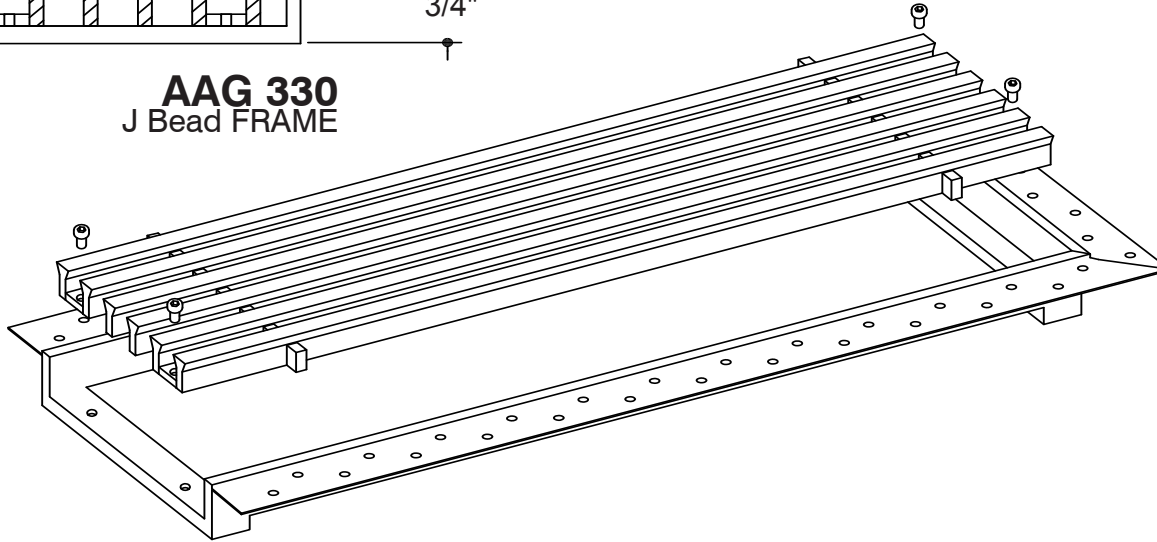


ADVANCED ARCHITECTURAL GRILLEWORKS

* THE AUTHENTIC AND ONLY PATENTED PLASTER J BEAD - PATENT #'s 9,765,988 # 10,871,305



AAG 330
J Bead FRAME



CORE STYLE
AAG-330

FRAME STYLE
J Bead*

MATERIAL:

FINISH:

DEPTH: **15/16"**

CORE: **REMOVABLE**

OPENING SIZES

QTY	X	Y

CUSTOMER:	PROJECT:	NOTES:
CONTACT:	ARCHITECT:	
PHONE:	ENGINEER:	
	CONTRACTOR:	

Advanced Architectural Grilleworks 149 Denton Avenue, New Hyde Park, NY 11040 Voice: 516-488-0628 Email: sales@agrilles.com	JOB #:
	QUOTE #:



ADVANCED ARCHITECTURAL GRILLEWORKS

* THE AUTHENTIC AND ONLY PATENTED PLASTER J BEAD - PATENT #'s 9,765,988 # 10,871,305

CORE STYLE
AAG-400

FRAME STYLE
J Bead*

MATERIAL:

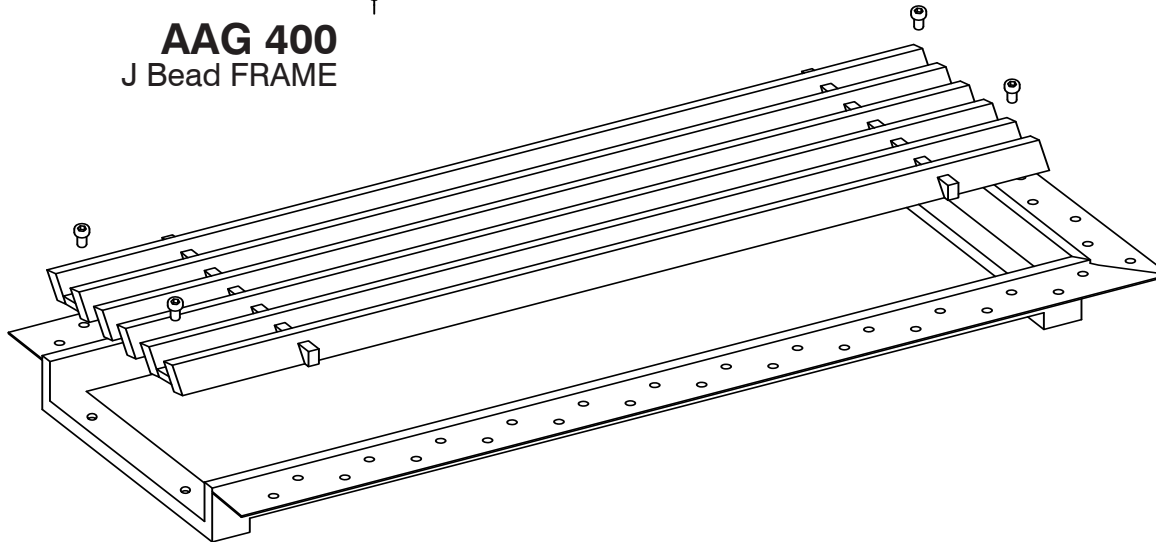
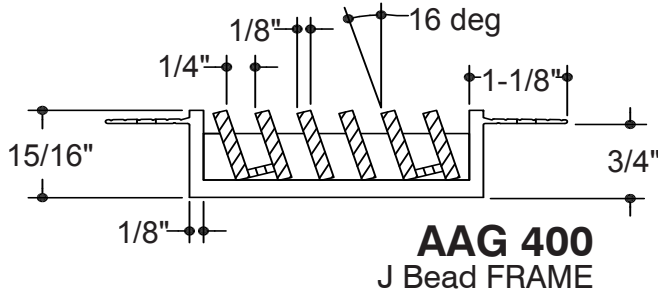
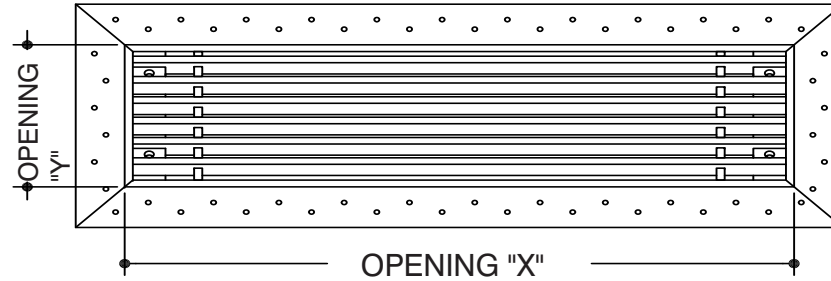
FINISH:

DEPTH: **15/16"**

CORE: **REMOVABLE**

OPENING SIZES

QTY	X	Y



CUSTOMER:

PROJECT:

NOTES:

CONTACT:

ARCHITECT:

ENGINEER:

PHONE:

CONTRACTOR:

Advanced Architectural Grilleworks

149 Denton Avenue, New Hyde Park, NY 11040 Voice: 516-488-0628

Email: sales@aagrilles.com

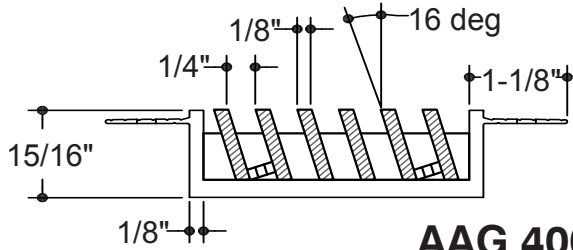
JOB #:

QUOTE #:

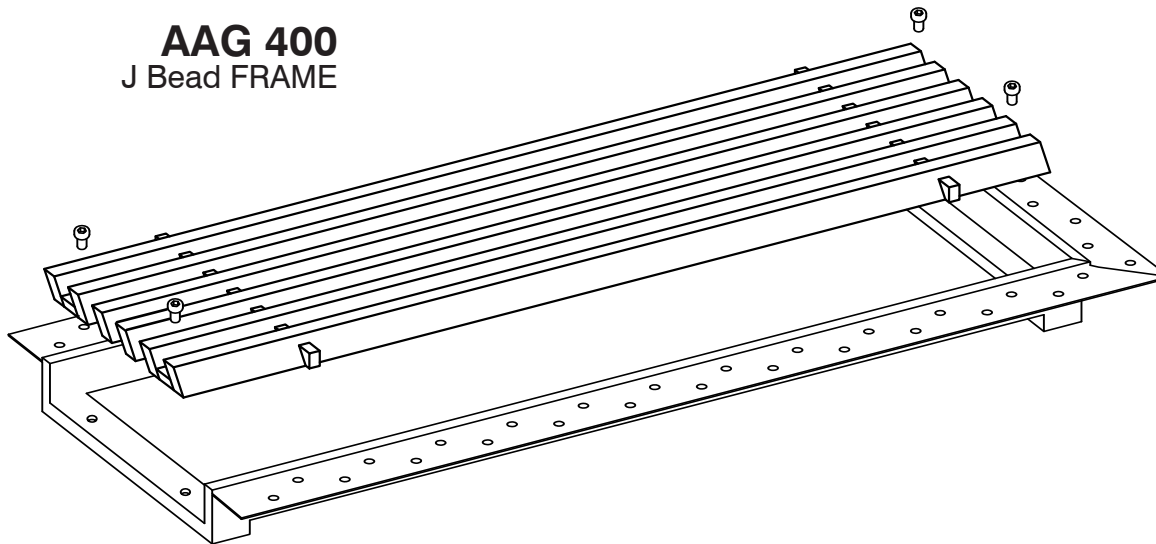
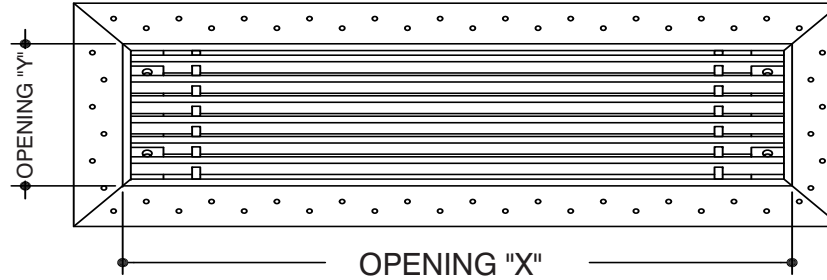


ADVANCED ARCHITECTURAL GRILLEWORKS

* THE AUTHENTIC AND ONLY PATENTED PLASTER J BEAD - PATENT #'s 9,765,988 # 10,871,305



AAG 400
J Bead FRAME



CORE STYLE
AAG-400FP

FRAME STYLE
J Bead*

MATERIAL:

FINISH:

DEPTH: **15/16"**

CORE: **REMOVABLE**

OPENING SIZES

QTY	X	Y

CUSTOMER:	PROJECT:	NOTES:
CONTACT:	ARCHITECT:	
PHONE:	ENGINEER:	
	CONTRACTOR:	

Advanced Architectural Grilleworks 149 Denton Avenue, New Hyde Park, NY 11040 Voice: 516-488-0628 Email: sales@aagrilles.com	JOB #:
	QUOTE #: