



ADVANCED ARCHITECTURAL GRILLEWORKS

CORE STYLE
AAG-100

FRAME STYLE
"A"-frame

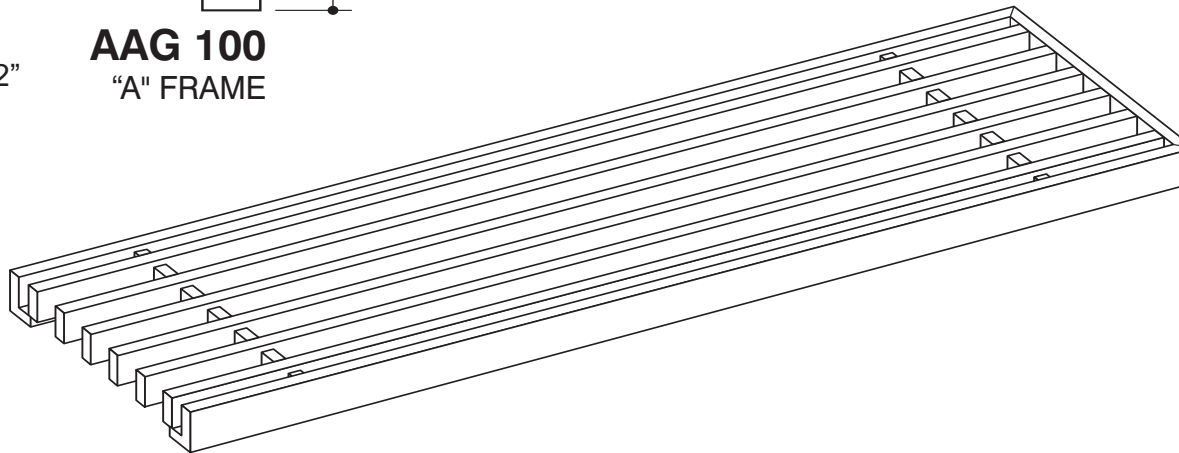
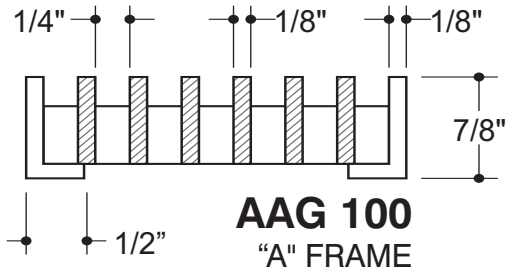
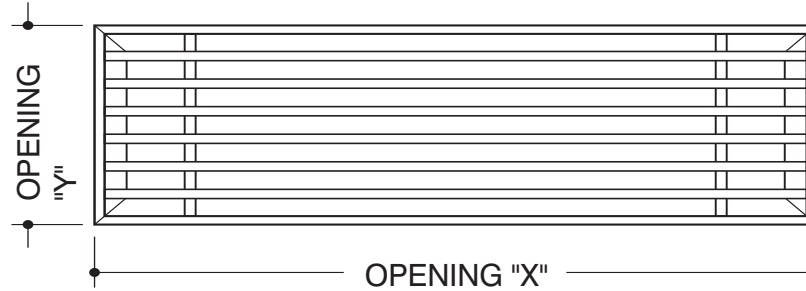
MATERIAL:

FINISH:

DEPTH: **7/8"**

OPENING SIZES

QTY	X	Y



CUSTOMER:
CONTACT:
PHONE:

PROJECT:
ARCHITECT:
ENGINEER:
CONTRACTOR:

NOTES:

Advanced Architectural Grilleworks
149 Denton Avenue, New Hyde Park, NY 11040 Voice: 516-488-0628
Email: sales@agrilles.com

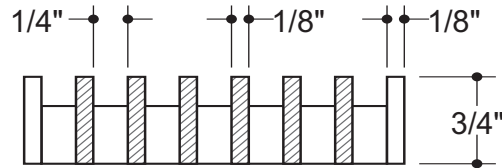
JOB #:
QUOTE #:



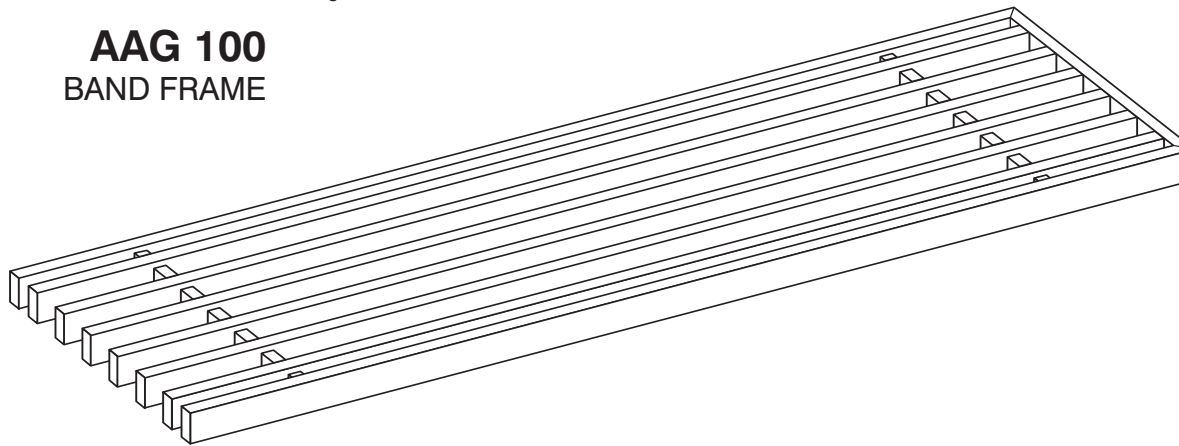
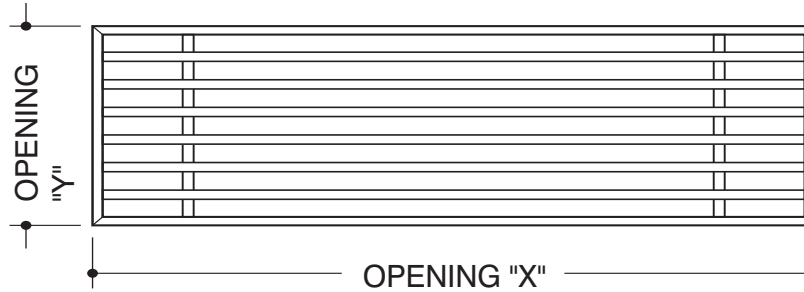
ADVANCED ARCHITECTURAL GRILLEWORKS

CORE STYLE
AAG-100

FRAME STYLE
Band Frame



AAG 100
BAND FRAME



MATERIAL:

FINISH:

DEPTH: **3/4"**

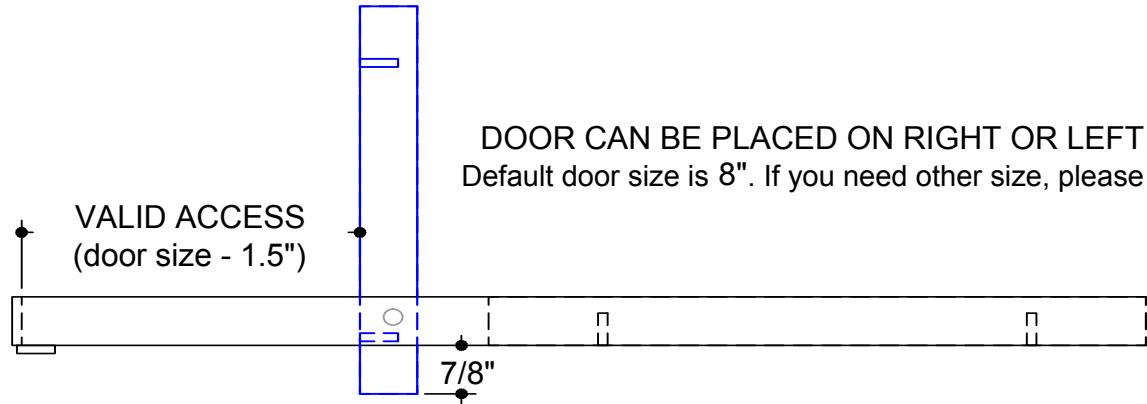
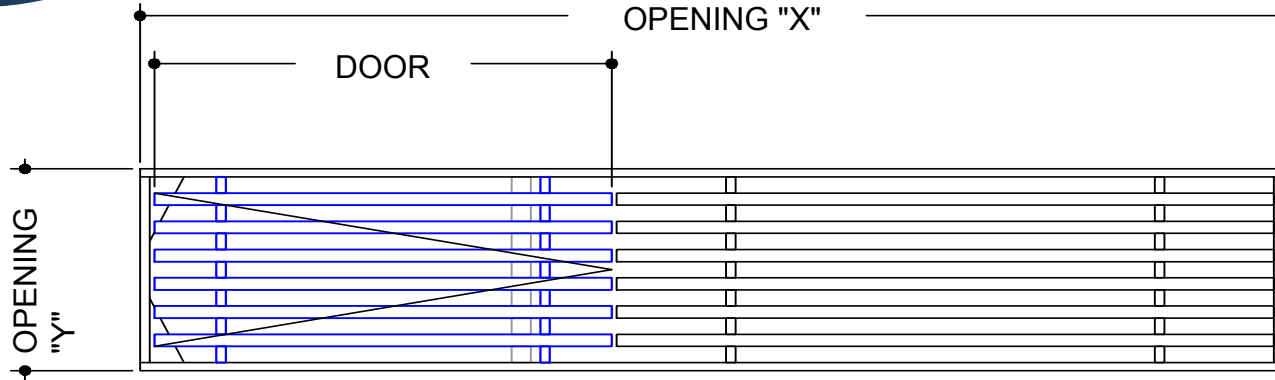
OPENING SIZES		
QTY	X	Y

CUSTOMER:	PROJECT:	NOTES:
CONTACT:	ARCHITECT:	
PHONE:	ENGINEER:	
	CONTRACTOR:	

Advanced Architectural Grilleworks 149 Denton Avenue, New Hyde Park, NY 11040 Voice: 516-488-0628 Email: sales@agrilles.com	JOB #:
	QUOTE #:



ADVANCED ARCHITECTURAL GRILLEWORKS



CORE STYLE
AAG-100

FRAME STYLE
Band Frame

MATERIAL:

FINISH:

DEPTH: **3/4"**

DOOR SIZE:

OPENING SIZES

QTY	X	Y

CUSTOMER:
CONTACT:
PHONE:

PROJECT:
ARCHITECT:
ENGINEER:
CONTRACTOR:

NOTES:

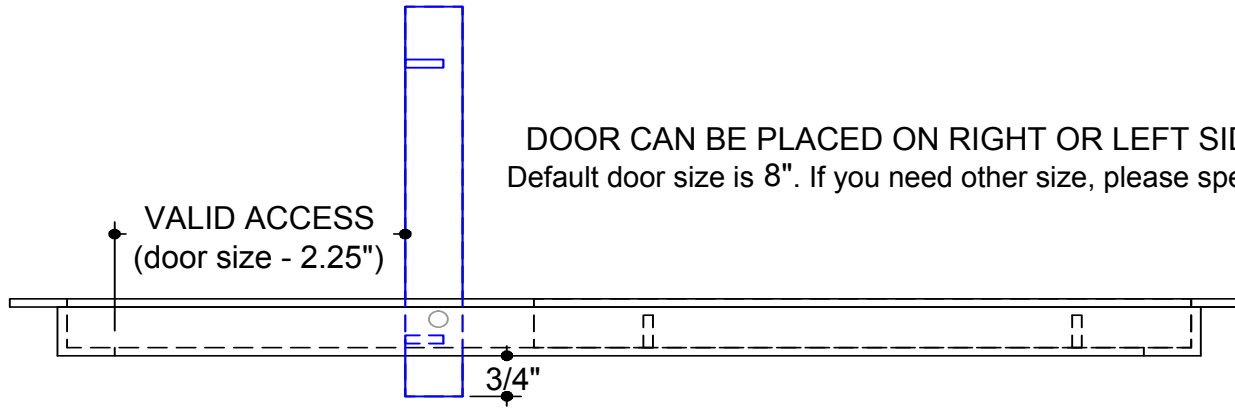
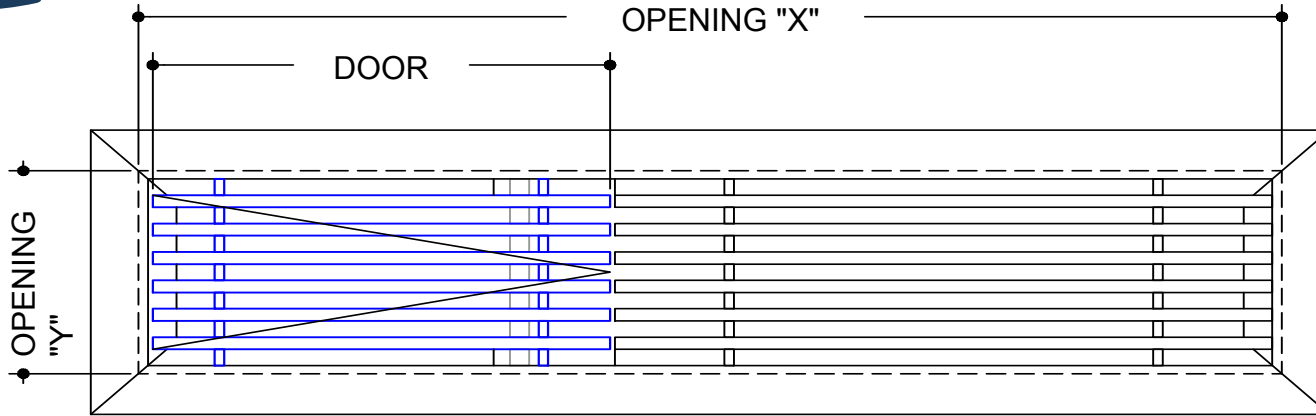
Advanced Architectural Grilleworks
149 Denton Avenue, New Hyde Park, NY 11040 Voice: 516-488-0628
Email: sales@agrilles.com

JOB #:
QUOTE #:



ADVANCED ARCHITECTURAL GRILLEWORKS

CORE STYLE
AAG-100
 FRAME STYLE
"C"-frame



DOOR CAN BE PLACED ON RIGHT OR LEFT SIDE
 Default door size is 8". If you need other size, please specify.

MATERIAL:

FINISH:

DEPTH: **7/8"**

DOOR SIZE:

OPENING SIZES

QTY	X	Y

CUSTOMER:	PROJECT:	NOTES:
CONTACT:	ARCHITECT:	
PHONE:	ENGINEER:	
	CONTRACTOR:	

Advanced Architectural Grilleworks 149 Denton Avenue, New Hyde Park, NY 11040 Voice: 516-488-0628 Email: sales@agrilles.com	JOB #:
	QUOTE #:



ADVANCED ARCHITECTURAL GRILLEWORKS

CORE STYLE
AAG-100

FRAME STYLE
Core Only

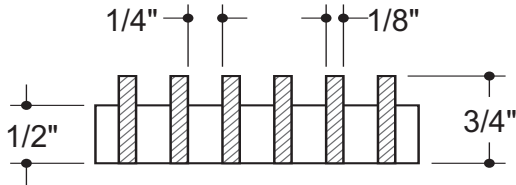
MATERIAL:

FINISH:

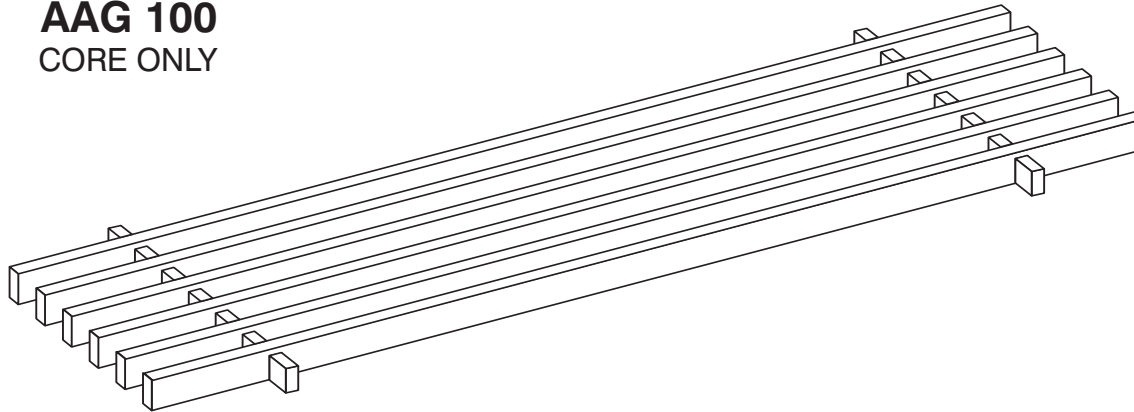
DEPTH: **3/4"**

OPENING SIZES

QTY	X	Y



AAG 100
CORE ONLY



CUSTOMER:	PROJECT:	NOTES:
CONTACT:	ARCHITECT:	
PHONE:	ENGINEER:	
	CONTRACTOR:	

Advanced Architectural Grilleworks

149 Denton Avenue, New Hyde Park, NY 11040 Voice: 516-488-0628
Email: sales@agrilles.com

JOB #:

QUOTE #:

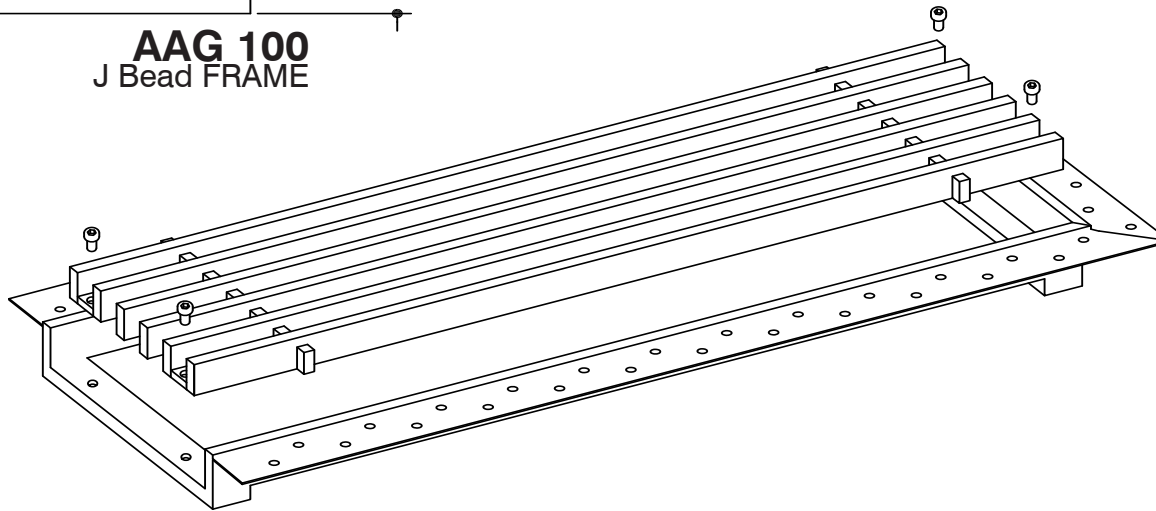
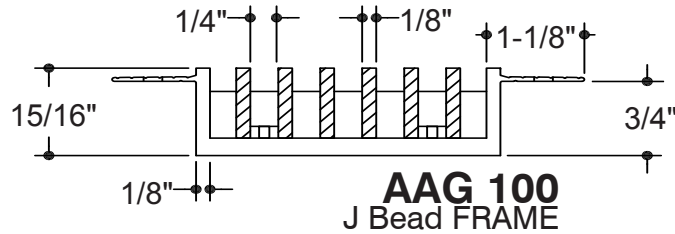
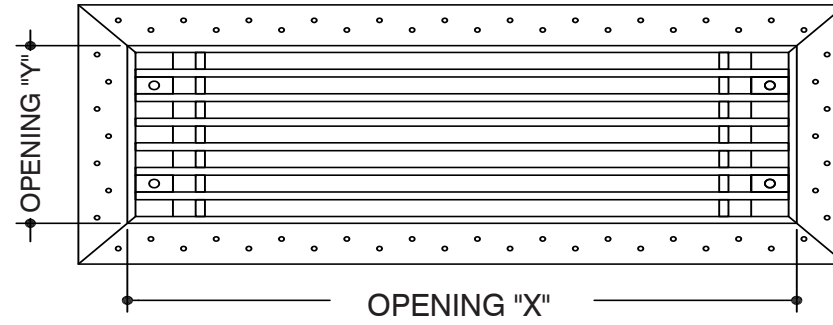


ADVANCED ARCHITECTURAL GRILLEWORKS

*THE AUTHENTIC AND ONLY PATENTED PLASTER J BEAD - PATENT #'s 9,765,988 # 10,871,305

CORE STYLE
AAG-100
 FRAME STYLE
J Bead*

MATERIAL:
 FINISH:
 DEPTH: **15/16"**
 CORE: **REMOVABLE**



OPENING SIZES

QTY	X	Y

CUSTOMER:	PROJECT:	NOTES:
CONTACT:	ARCHITECT:	
PHONE:	ENGINEER:	
	CONTRACTOR:	

Advanced Architectural Grilleworks
 149 Denton Avenue, New Hyde Park, NY 11040 Voice: 516-488-0628
 Email: sales@agrilles.com

JOB #:
 QUOTE #: