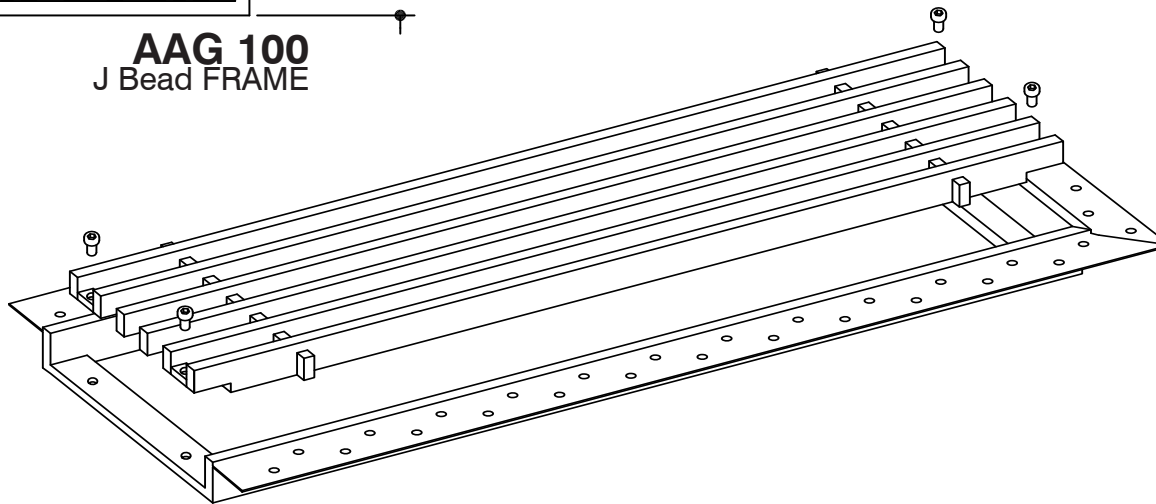
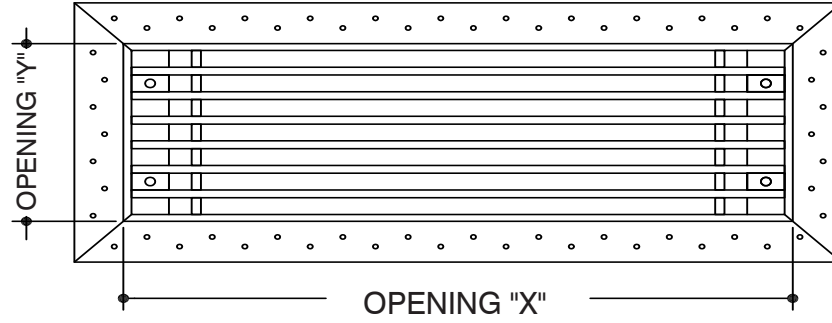
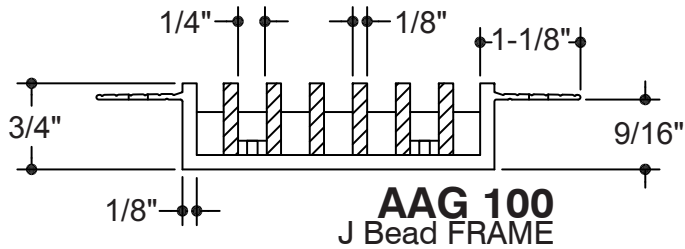




# ADVANCED ARCHITECTURAL GRILLEWORKS

\*THE AUTHENTIC AND ONLY PATENTED PLASTER J BEAD - PATENT #'s 9,765,988 # 10,871,305



CORE STYLE  
**AAG-100**

FRAME STYLE  
**J Bead\***

MATERIAL:

FINISH:

UNDER FLANGE: **9/16"**

CORE: **REMOVABLE**

**OPENING SIZES**

QTY	X	Y

CUSTOMER:	PROJECT:	NOTES:
CONTACT:	ARCHITECT:	
PHONE:	ENGINEER:	
	CONTRACTOR:	

**Advanced Architectural Grilleworks**  
 149 Denton Avenue, New Hyde Park, NY 11040 Voice: 516-488-0628  
 Email: sales@aagrilles.com

JOB #:  
 QUOTE #: