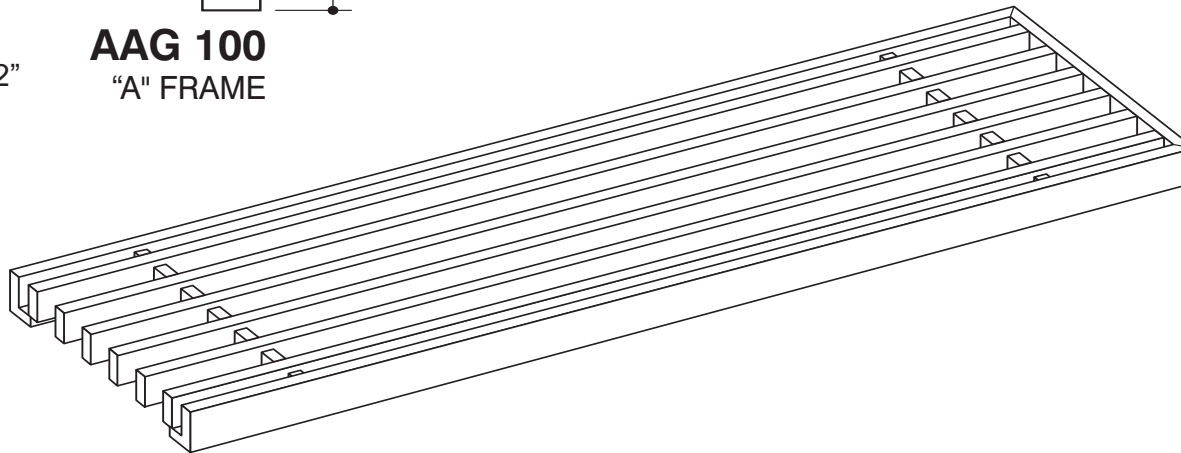
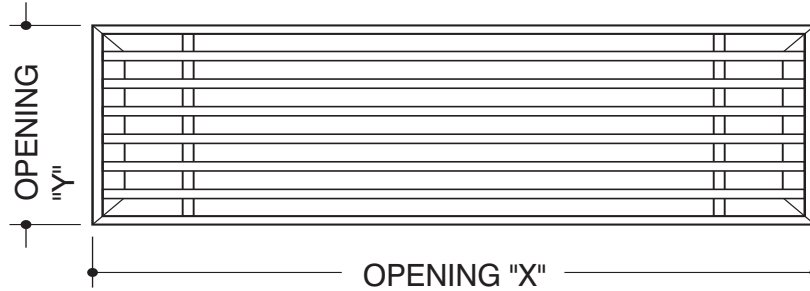
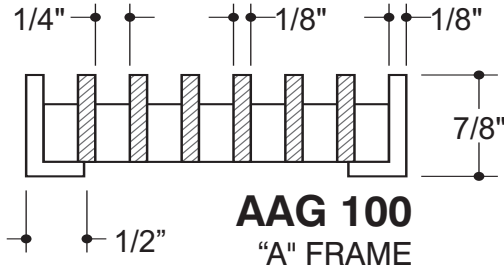




# ADVANCED ARCHITECTURAL GRILLEWORKS

CORE STYLE  
**AAG-100**  
FRAME STYLE  
**"A"-frame**



MATERIAL: \_\_\_\_\_  
FINISH: \_\_\_\_\_  
DEPTH: **7/8"**

OPENING SIZES		
QTY	X	Y

CUSTOMER:	PROJECT:	NOTES:
CONTACT:	ARCHITECT:	
PHONE:	ENGINEER:	
	CONTRACTOR:	

**Advanced Architectural Grilleworks**  
149 Denton Avenue, New Hyde Park, NY 11040 Voice: 516-488-0628  
Email: sales@aagrilles.com

JOB #: \_\_\_\_\_  
QUOTE #: \_\_\_\_\_



# ADVANCED ARCHITECTURAL GRILLEWORKS

CORE STYLE  
**AAG-100**

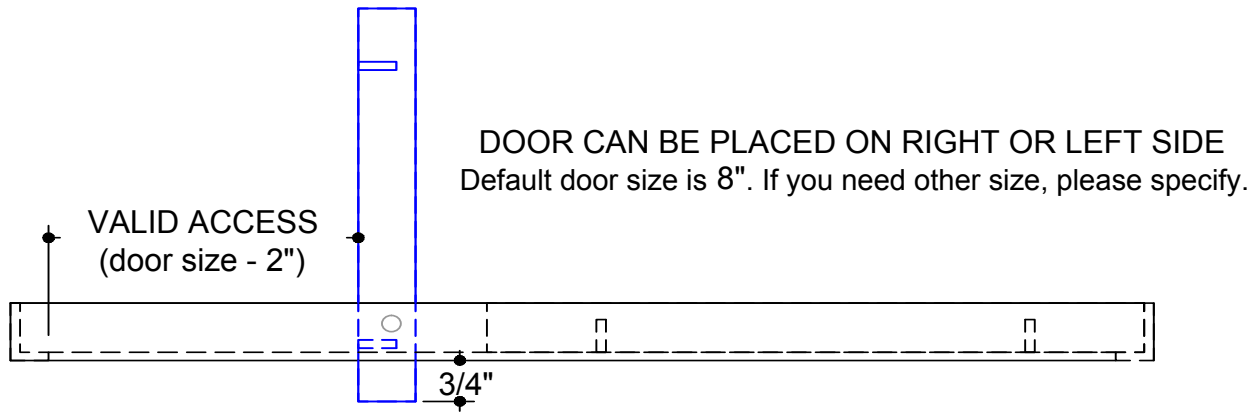
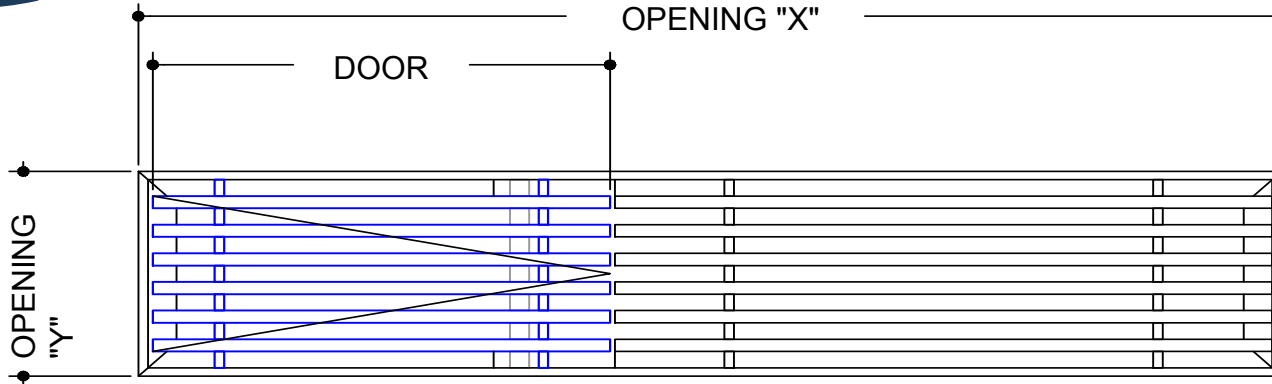
FRAME STYLE  
**"A"-frame**

MATERIAL:

FINISH:

DEPTH: **7/8"**

DOOR SIZE:



### OPENING SIZES

QTY	X	Y

CUSTOMER:  
CONTACT:  
PHONE:

PROJECT:  
ARCHITECT:  
ENGINEER:  
CONTRACTOR:

NOTES:

**Advanced Architectural Grilleworks**  
 149 Denton Avenue, New Hyde Park, NY 11040 Voice: 516-488-0628  
 Email: sales@agrilles.com

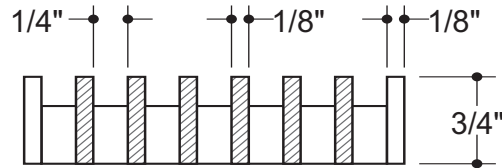
JOB #:  
QUOTE #:



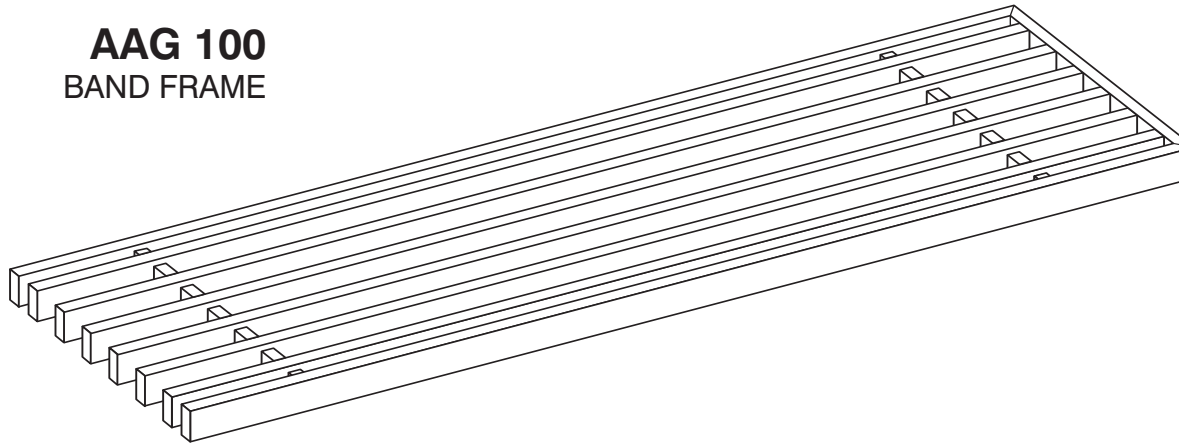
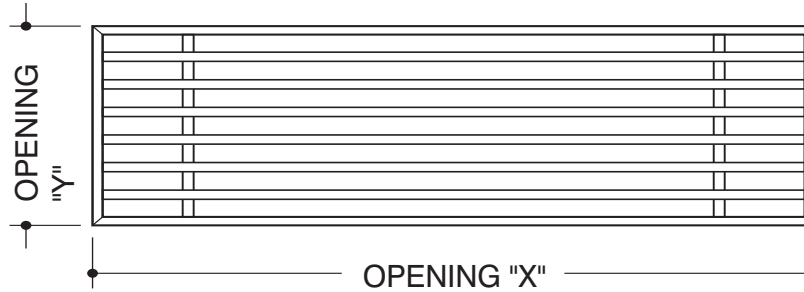
# ADVANCED ARCHITECTURAL GRILLEWORKS

CORE STYLE  
**AAG-100**

FRAME STYLE  
**Band Frame**



**AAG 100**  
BAND FRAME



MATERIAL:

FINISH:

DEPTH: **3/4"**

### OPENING SIZES

QTY	X	Y

CUSTOMER:  
CONTACT:  
PHONE:

PROJECT:  
ARCHITECT:  
ENGINEER:  
CONTRACTOR:

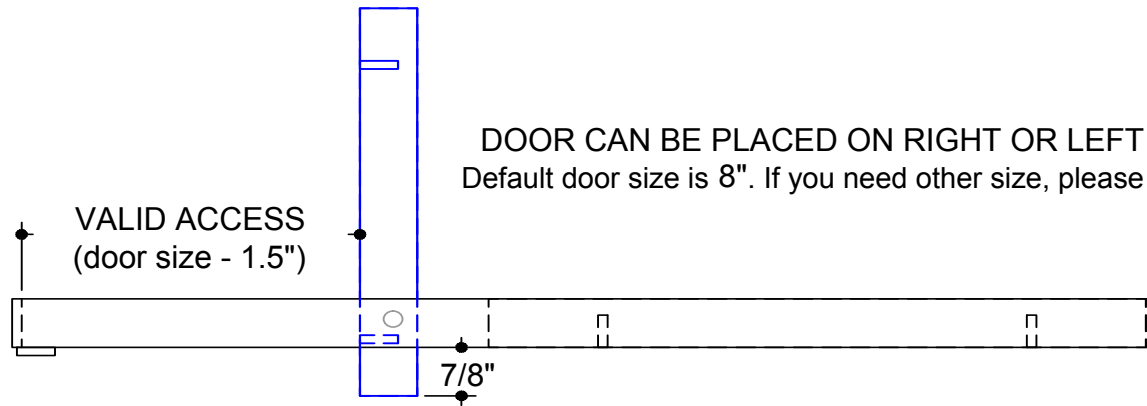
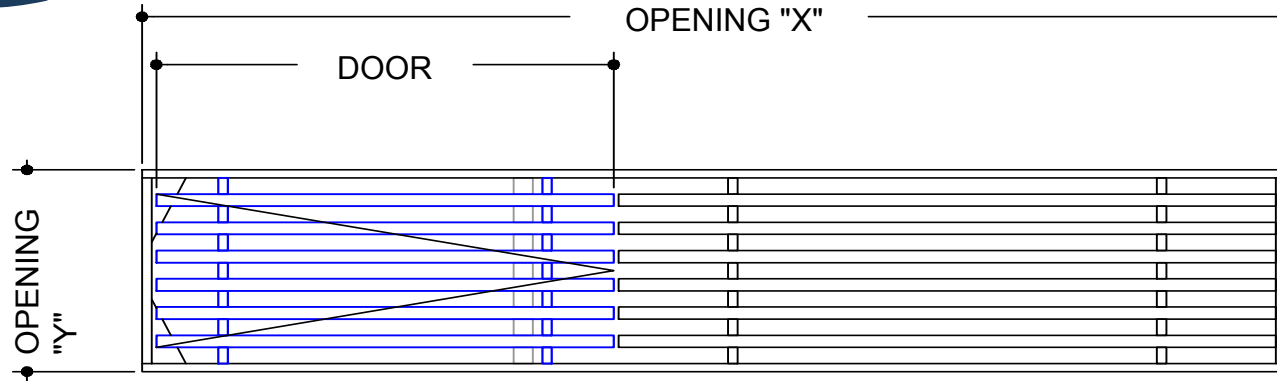
NOTES:

**Advanced Architectural Grilleworks**  
149 Denton Avenue, New Hyde Park, NY 11040 Voice: 516-488-0628  
Email: sales@agrilles.com

JOB #:  
QUOTE #:



# ADVANCED ARCHITECTURAL GRILLEWORKS



CORE STYLE  
**AAG-100**  
FRAME STYLE  
**Band Frame**

MATERIAL:

FINISH:

DEPTH: **3/4"**

DOOR SIZE:

### OPENING SIZES

QTY	X	Y

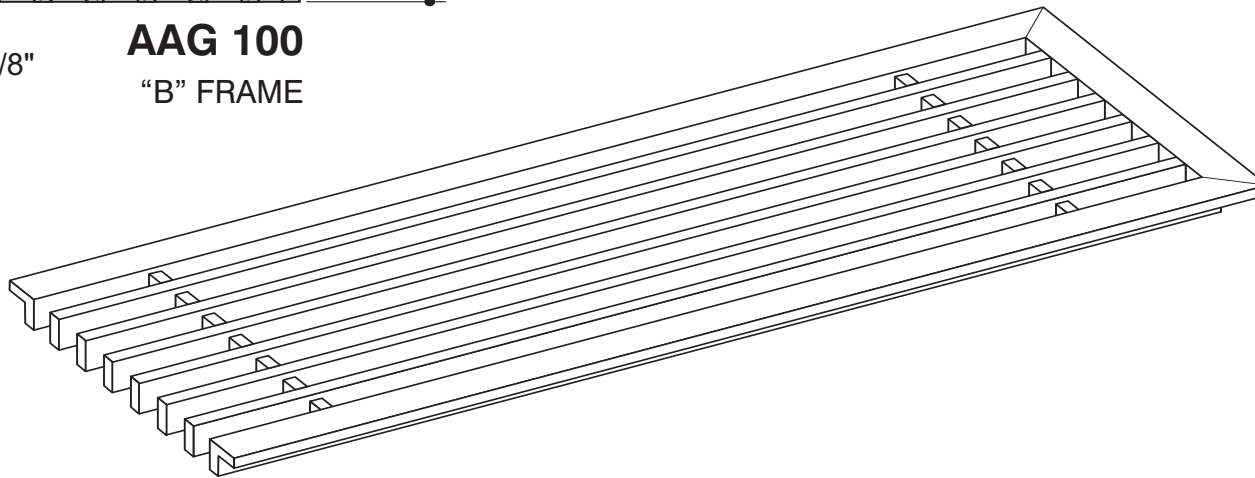
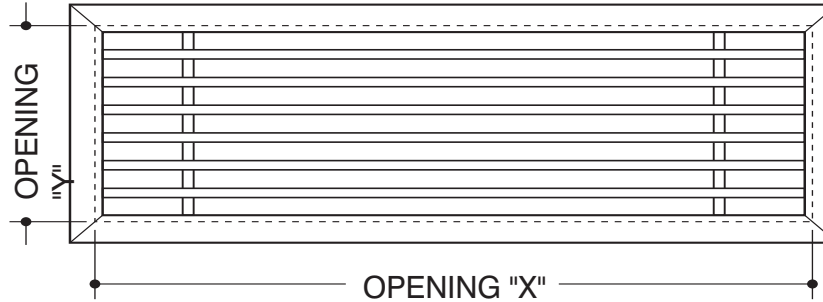
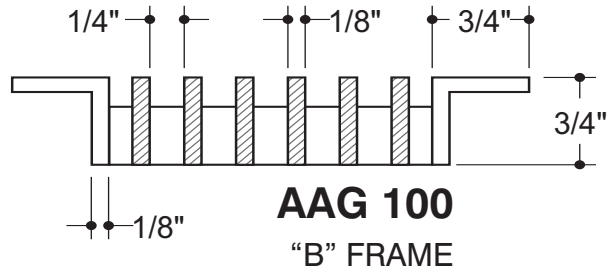
CUSTOMER:	PROJECT:	NOTES:
CONTACT:	ARCHITECT:	
PHONE:	ENGINEER:	
	CONTRACTOR:	

<b>Advanced Architectural Grilleworks</b> 149 Denton Avenue, New Hyde Park, NY 11040 Voice: 516-488-0628 Email: sales@agrilles.com	JOB #:
	QUOTE #:



# ADVANCED ARCHITECTURAL GRILLEWORKS

CORE STYLE  
**AAG-100**  
FRAME STYLE  
**"B"-frame**



MATERIAL:

FINISH:

DEPTH: **3/4"**

OPENING SIZES		
QTY	X	Y

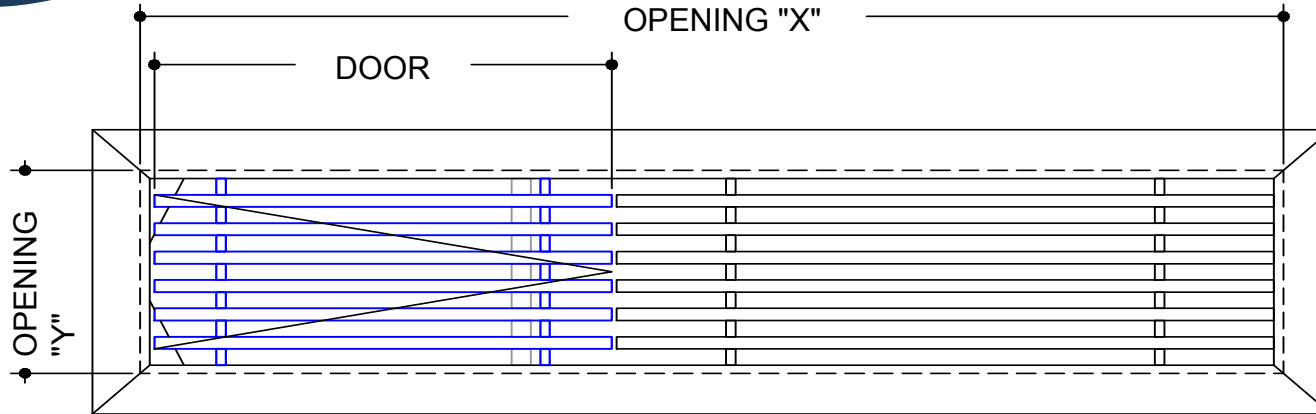
CUSTOMER:	PROJECT:	NOTES:
CONTACT:	ARCHITECT:	
PHONE:	ENGINEER:	
	CONTRACTOR:	

<b>Advanced Architectural Grilleworks</b> 149 Denton Avenue, New Hyde Park, NY 11040 Voice: 516-488-0628 Email: sales@agrilles.com	JOB #:
	QUOTE #:



# ADVANCED ARCHITECTURAL GRILLEWORKS

CORE STYLE  
**AAG-100**  
 FRAME STYLE  
**"B"-frame**



MATERIAL:

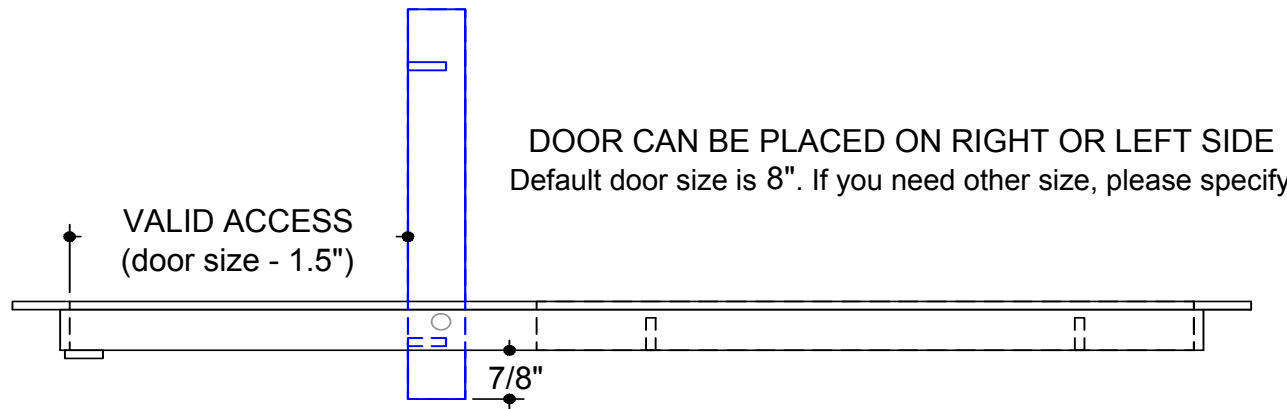
FINISH:

DEPTH: **3/4"**

DOOR SIZE:

### OPENING SIZES

QTY	X	Y



CUSTOMER:	PROJECT:	NOTES:
CONTACT:	ARCHITECT:	
PHONE:	ENGINEER:	
	CONTRACTOR:	

**Advanced Architectural Grilleworks**  
 149 Denton Avenue, New Hyde Park, NY 11040 Voice: 516-488-0628  
 Email: sales@agrilles.com

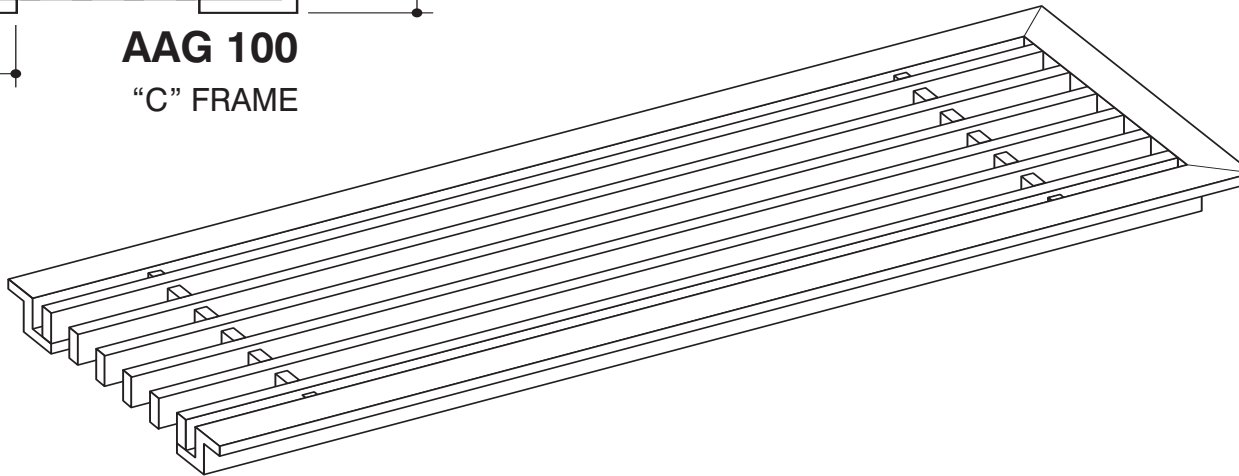
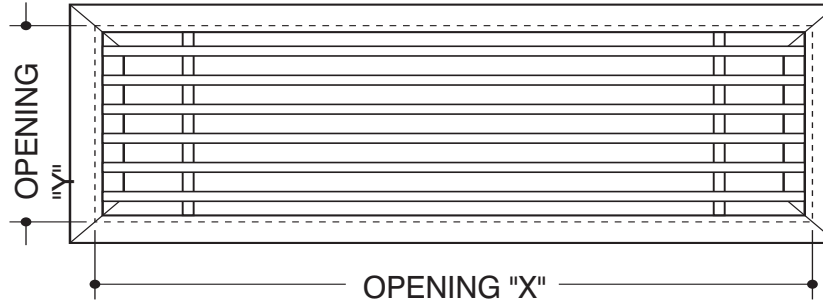
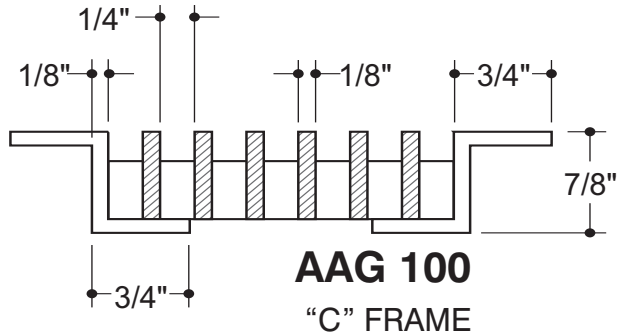
JOB #:

QUOTE #:



# ADVANCED ARCHITECTURAL GRILLEWORKS

CORE STYLE  
**AAG-100**  
 FRAME STYLE  
**"C"-frame**



MATERIAL:

---

FINISH:

---

DEPTH: **7/8"**

OPENING SIZES		
QTY	X	Y

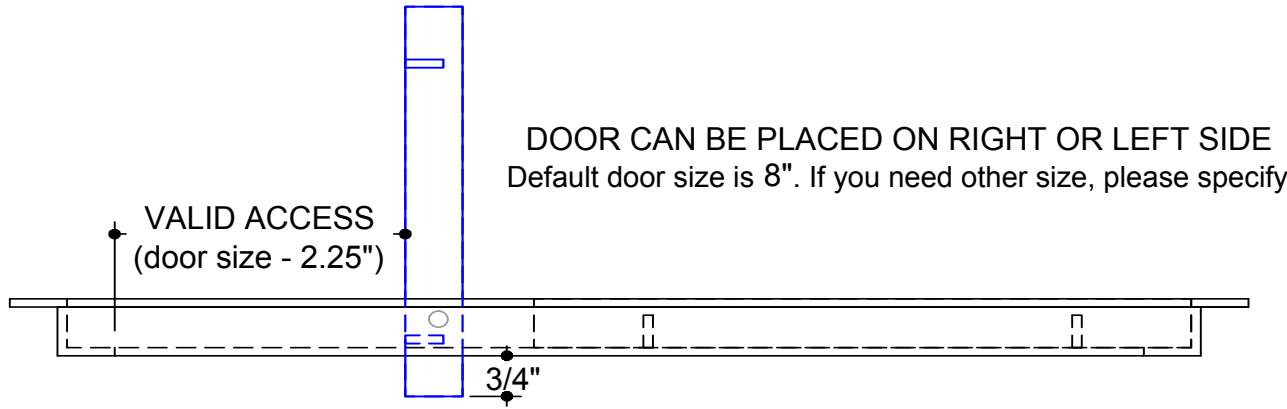
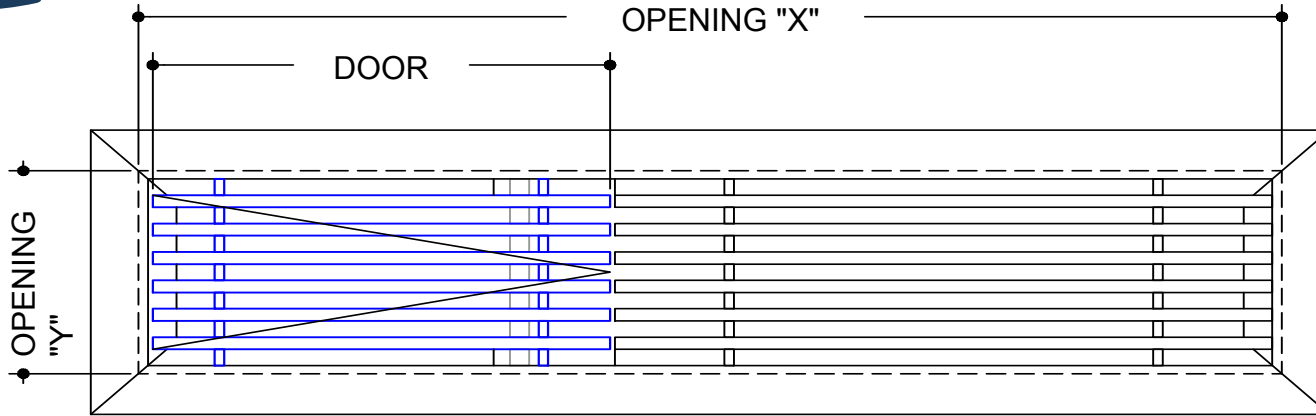
CUSTOMER:	PROJECT:	NOTES:
CONTACT:	ARCHITECT:	
PHONE:	ENGINEER:	
	CONTRACTOR:	

<b>Advanced Architectural Grilleworks</b> 149 Denton Avenue, New Hyde Park, NY 11040 Voice: 516-488-0628 Email: sales@agrilles.com	JOB #:
	QUOTE #:



# ADVANCED ARCHITECTURAL GRILLEWORKS

CORE STYLE  
**AAG-100**  
FRAME STYLE  
**"C"-frame**



MATERIAL:

FINISH:

DEPTH: **7/8"**

DOOR SIZE:

OPENING SIZES		
QTY	X	Y

CUSTOMER:	PROJECT:	NOTES:
CONTACT:	ARCHITECT:	
PHONE:	ENGINEER:	
	CONTRACTOR:	

<b>Advanced Architectural Grilleworks</b> 149 Denton Avenue, New Hyde Park, NY 11040 Voice: 516-488-0628 Email: sales@agrilles.com	JOB #:
	QUOTE #:





# ADVANCED ARCHITECTURAL GRILLEWORKS

CORE STYLE  
**AAG-100**

FRAME STYLE  
**Core Only**

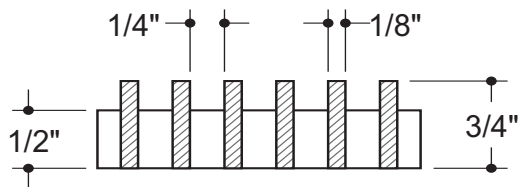
MATERIAL:

FINISH:

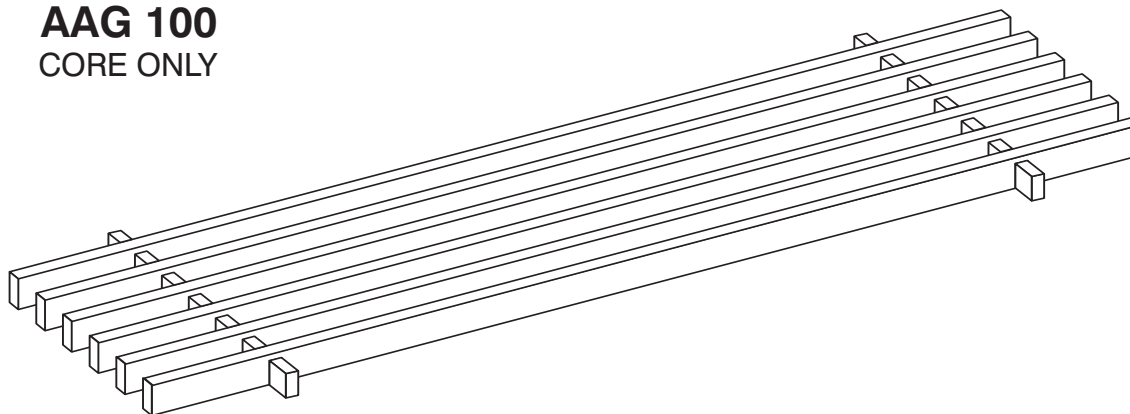
DEPTH: **3/4"**

**OPENING SIZES**

QTY	X	Y



**AAG 100**  
CORE ONLY



CUSTOMER:

---

CONTACT:

---

PHONE:

PROJECT:

---

ARCHITECT:

---

ENGINEER:

---

CONTRACTOR:

NOTES:

---



---



---

**Advanced Architectural Grilleworks**  
 149 Denton Avenue, New Hyde Park, NY 11040 Voice: 516-488-0628  
 Email: sales@agrilles.com

JOB #:

---

QUOTE #:



# ADVANCED ARCHITECTURAL GRILLEWORKS

\*THE AUTHENTIC AND ONLY PATENTED PLASTER J BEAD - PATENT #'s 9,765,988 # 10,871,305

CORE STYLE  
**AAG-100**

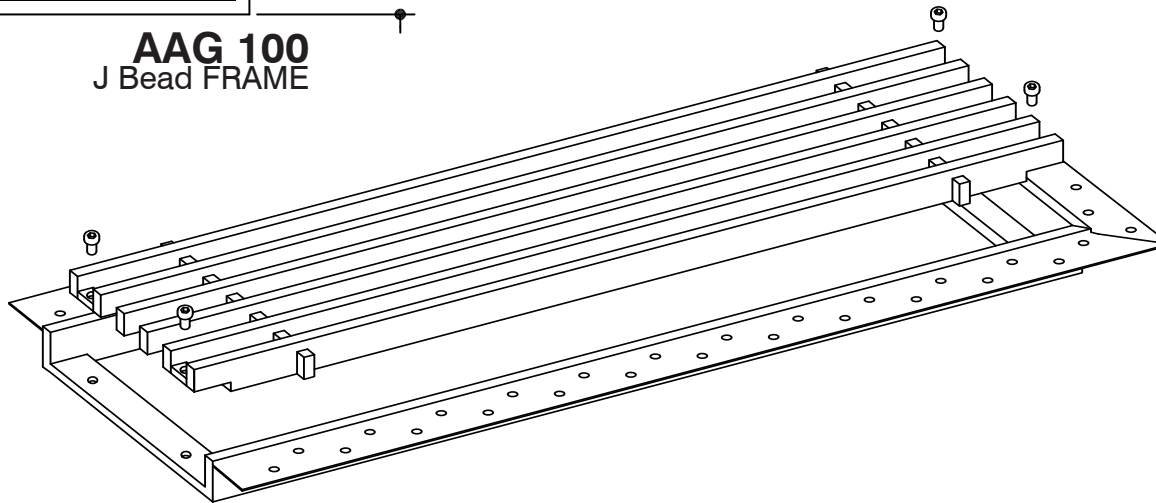
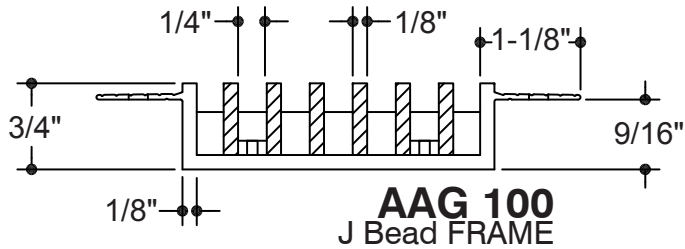
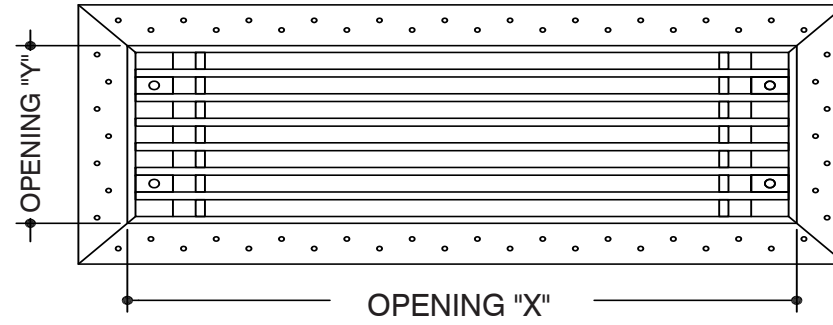
FRAME STYLE  
**J Bead\***

MATERIAL:

FINISH:

UNDER FLANGE: **9/16"**

CORE: **REMOVABLE**



### OPENING SIZES

QTY	X	Y

CUSTOMER:

CONTACT:

PHONE:

PROJECT:

ARCHITECT:

ENGINEER:

CONTRACTOR:

NOTES:

### Advanced Architectural Grilleworks

149 Denton Avenue, New Hyde Park, NY 11040 Voice: 516-488-0628  
Email: sales@aagrilles.com

JOB #:

QUOTE #: