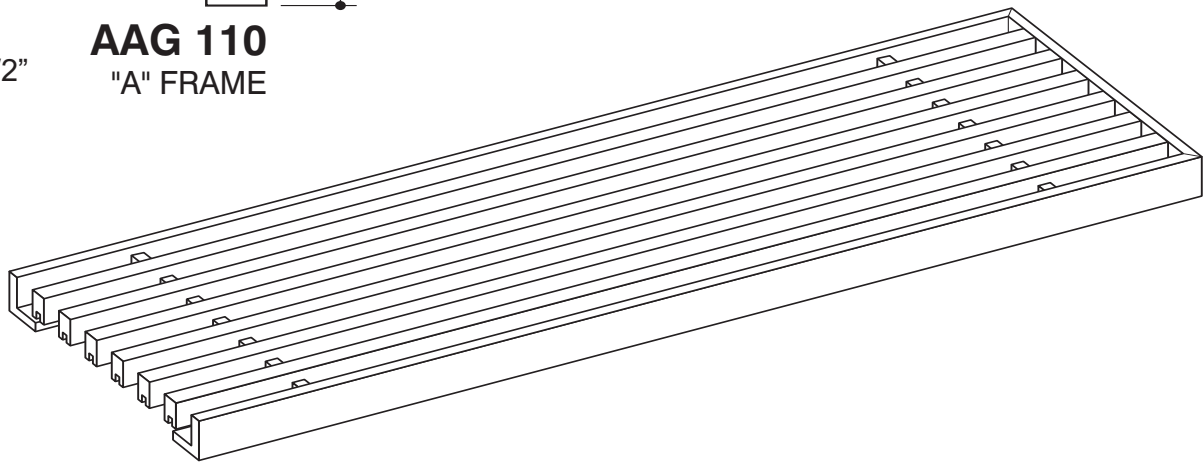
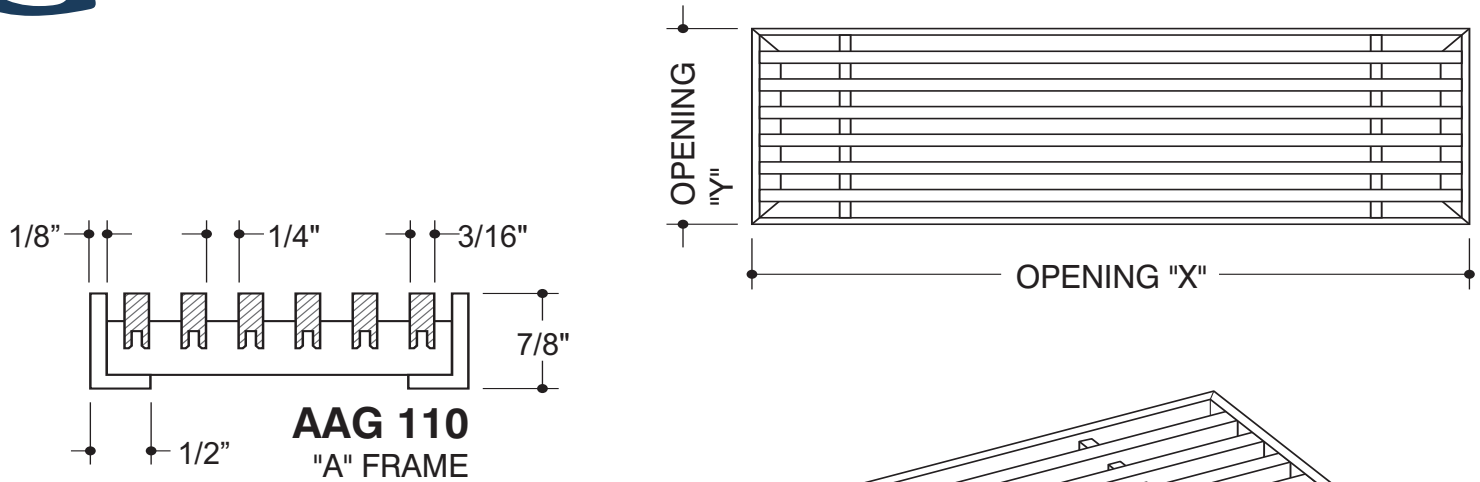




ADVANCED ARCHITECTURAL GRILLEWORKS

CORE STYLE
AAG-110
FRAME STYLE
"A"-frame



MATERIAL:
FINISH:
DEPTH: **7/8"**

OPENING SIZES

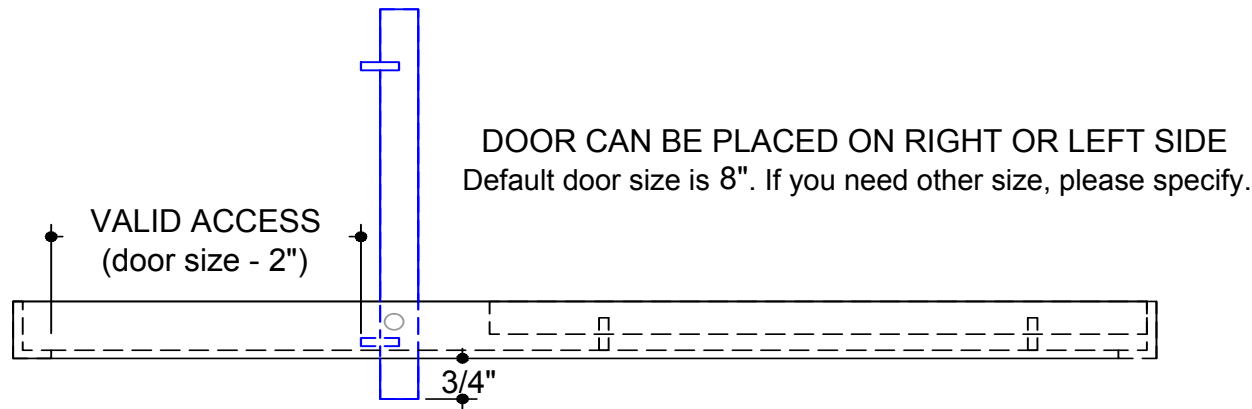
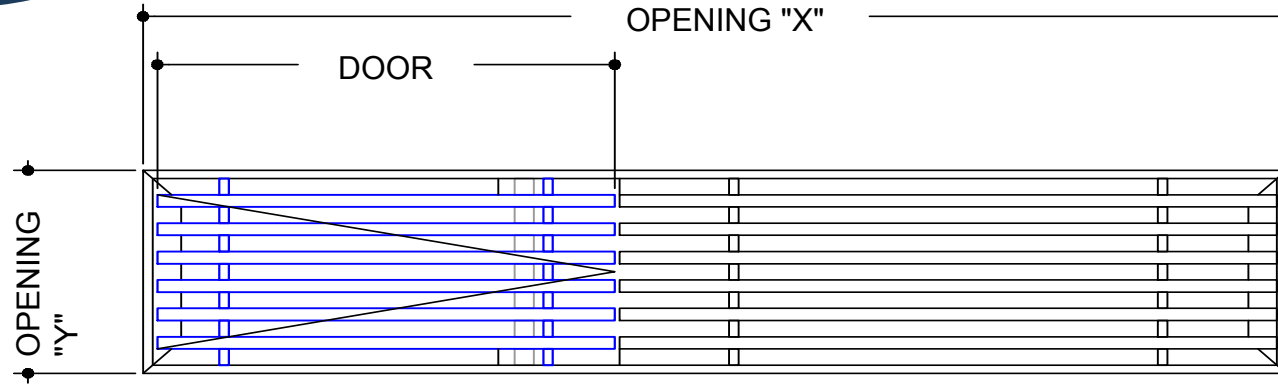
QTY	X	Y

CUSTOMER: CONTACT: PHONE:	PROJECT:	NOTES:
	ARCHITECT:	
	ENGINEER:	
	CONTRACTOR:	

Advanced Architectural Grilleworks 149 Denton Avenue, New Hyde Park, NY 11040 Voice: 516-488-0628 Email: sales@agrilles.com	JOB #:
	QUOTE #:



ADVANCED ARCHITECTURAL GRILLEWORKS



CORE STYLE
AAG-110

FRAME STYLE
"A"-frame

MATERIAL:

FINISH:

DEPTH: **7/8"**

DOOR SIZE:

OPENING SIZES

QTY	X	Y

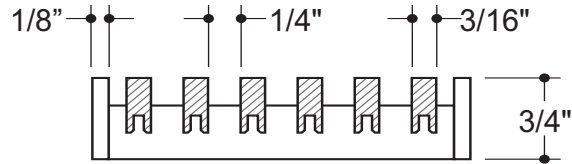
CUSTOMER:	PROJECT:	NOTES:
CONTACT:	ARCHITECT:	
PHONE:	ENGINEER:	
	CONTRACTOR:	

Advanced Architectural Grilleworks
149 Denton Avenue, New Hyde Park, NY 11040 Voice: 516-488-0628
Email: sales@aagrilles.com

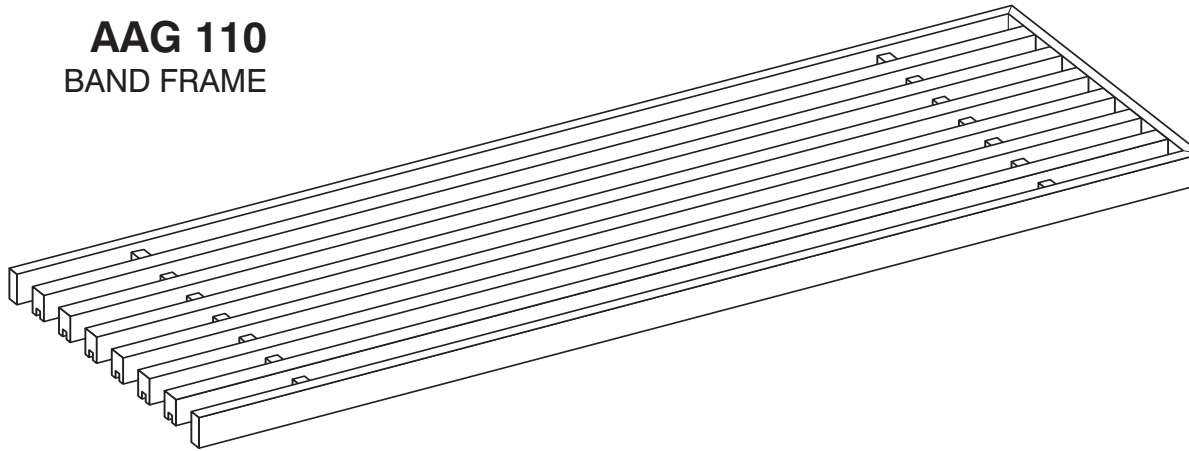
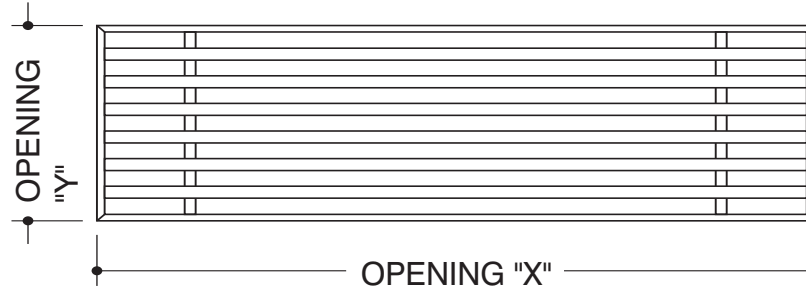
JOB #:
QUOTE #:



ADVANCED ARCHITECTURAL GRILLEWORKS



AAG 110
BAND FRAME



CORE STYLE
AAG-110

FRAME STYLE
Band Frame

MATERIAL:

FINISH:

DEPTH: **3/4"**

OPENING SIZES

QTY	X	Y

CUSTOMER:	PROJECT:	NOTES:
CONTACT:	ARCHITECT:	
PHONE:	ENGINEER:	
	CONTRACTOR:	

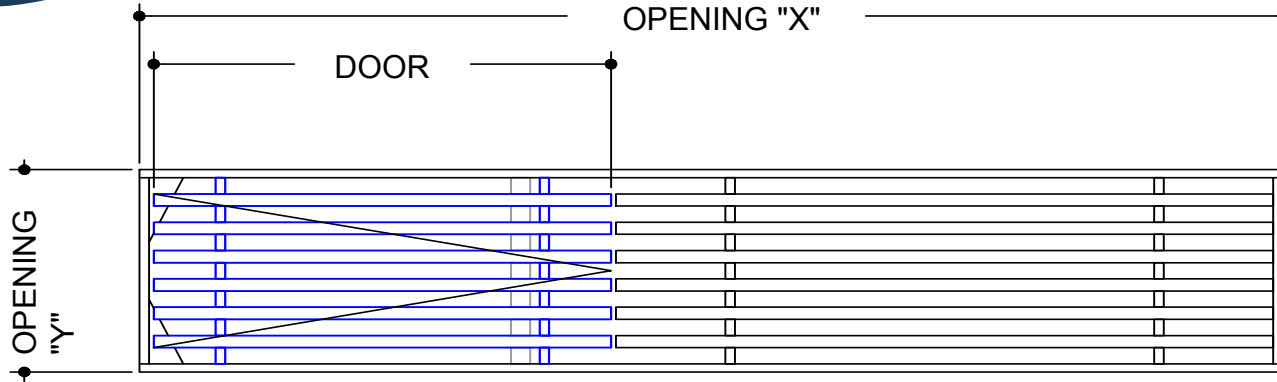
Advanced Architectural Grilleworks 149 Denton Avenue, New Hyde Park, NY 11040 Voice: 516-488-0628 Email: sales@aagrilles.com	JOB #:
	QUOTE #:



ADVANCED ARCHITECTURAL GRILLEWORKS

CORE STYLE
AAG-110

FRAME STYLE
Band Frame



MATERIAL:

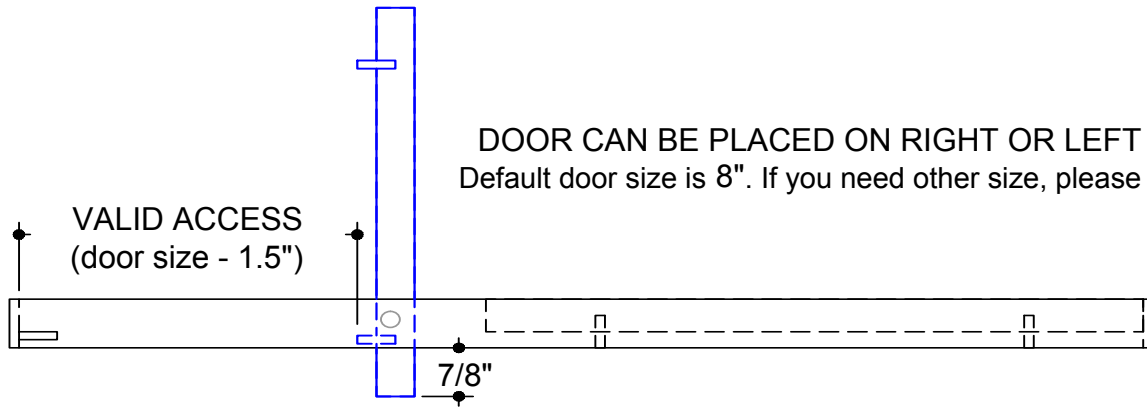
FINISH:

DEPTH: **3/4"**

DOOR SIZE:

OPENING SIZES

QTY	X	Y



CUSTOMER: _____
 CONTACT: _____
 PHONE: _____

PROJECT: _____
 ARCHITECT: _____
 ENGINEER: _____
 CONTRACTOR: _____

NOTES: _____

Advanced Architectural Grilleworks
 149 Denton Avenue, New Hyde Park, NY 11040 Voice: 516-488-0628
 Email: sales@agrilles.com

JOB #: _____
 QUOTE #: _____



ADVANCED ARCHITECTURAL GRILLEWORKS

CORE STYLE
AAG-110

FRAME STYLE
"B"-frame

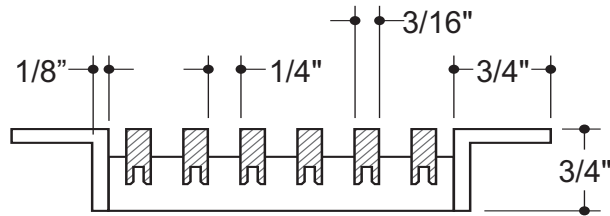
MATERIAL:

FINISH:

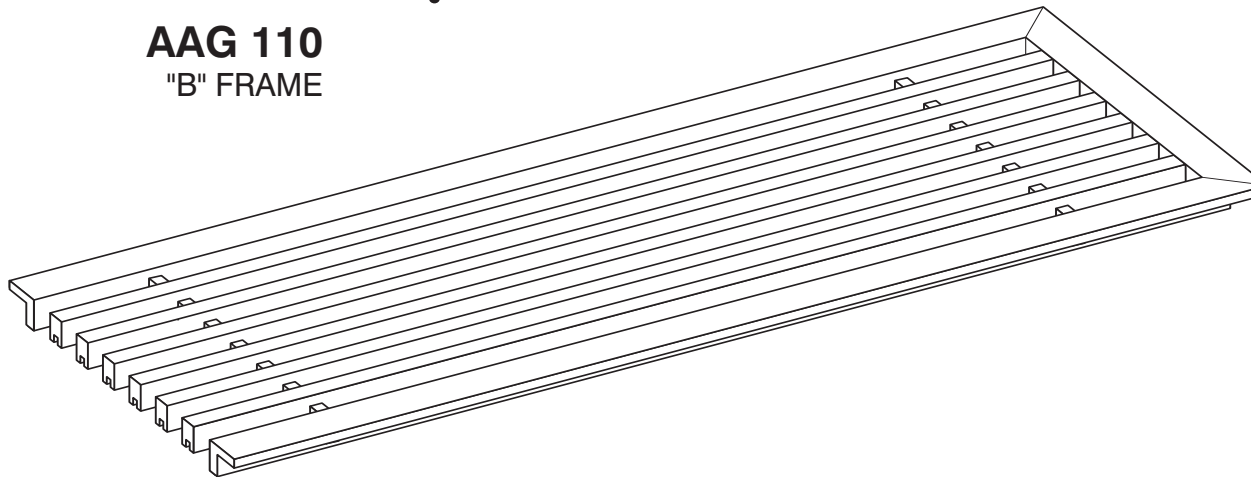
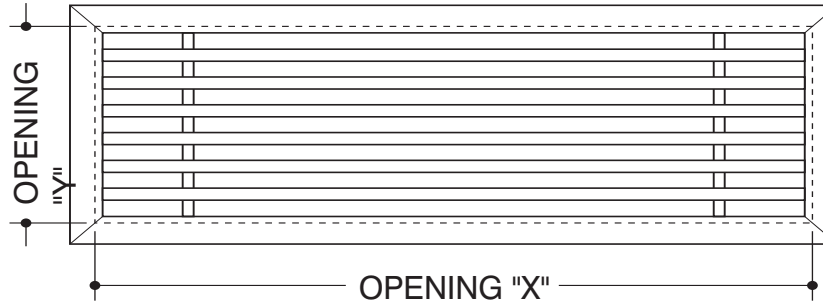
DEPTH: **3/4"**

OPENING SIZES

QTY	X	Y



AAG 110
"B" FRAME



CUSTOMER:

PROJECT:

NOTES:

CONTACT:

ARCHITECT:

PHONE:

ENGINEER:

CONTRACTOR:

Advanced Architectural Grilleworks

149 Denton Avenue, New Hyde Park, NY 11040 Voice: 516-488-0628
Email: sales@agrilles.com

JOB #:

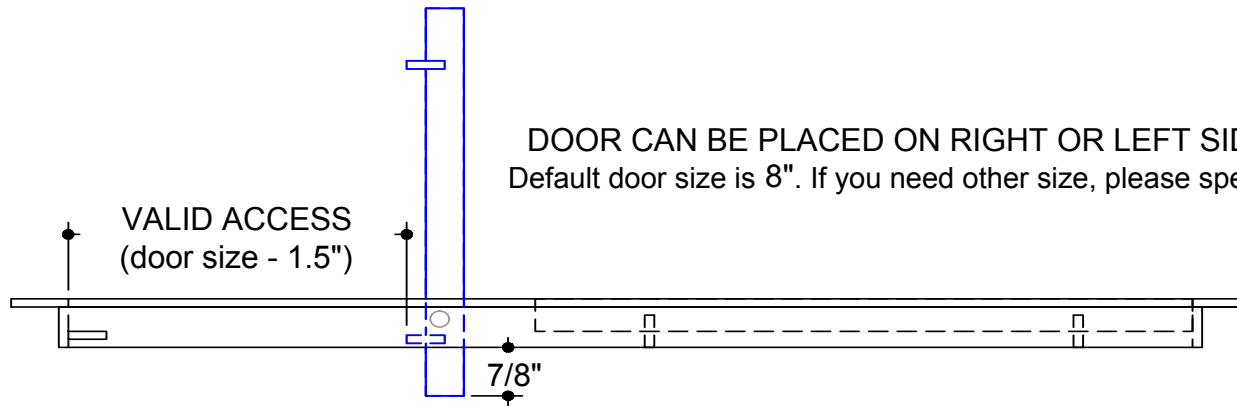
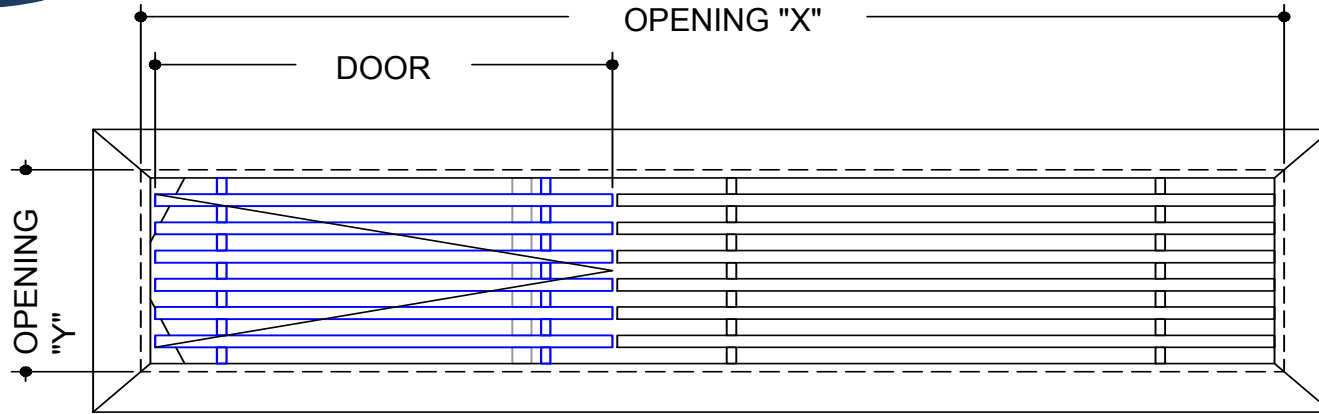
QUOTE #:



ADVANCED ARCHITECTURAL GRILLEWORKS

CORE STYLE
AAG-110

FRAME STYLE
"B"-frame



MATERIAL:

FINISH:

DEPTH: **3/4"**

DOOR SIZE:

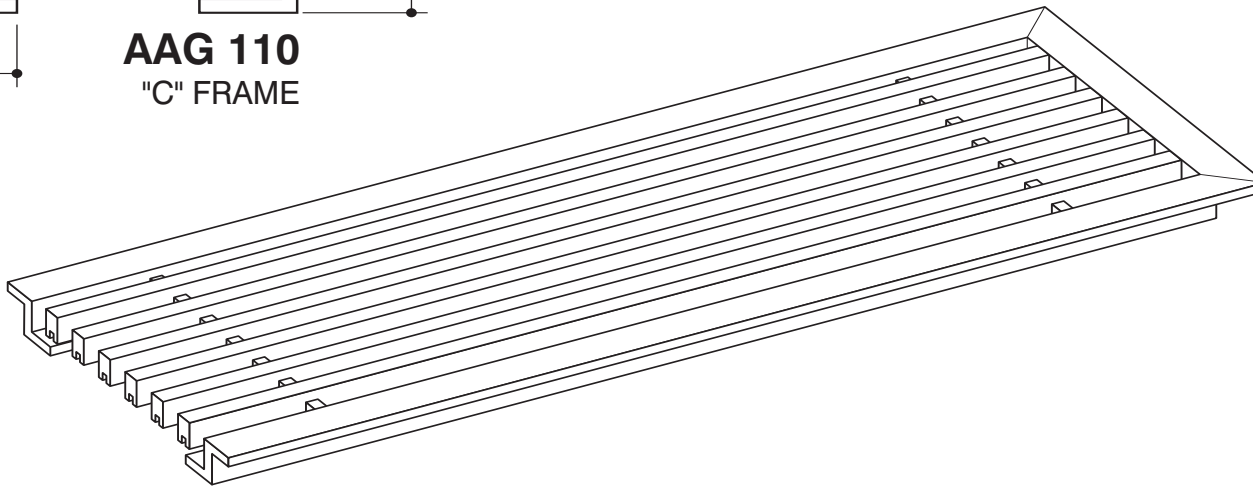
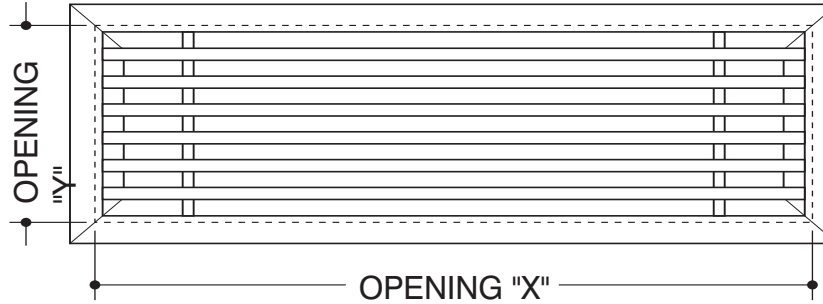
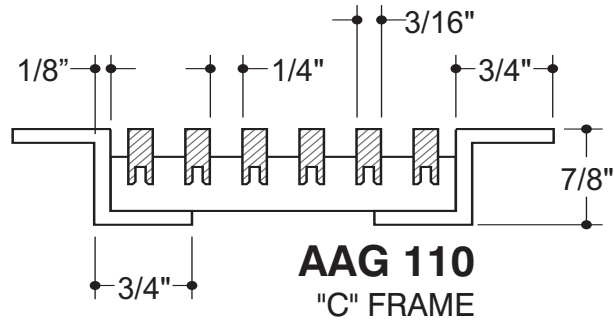
OPENING SIZES		
QTY	X	Y

CUSTOMER:	PROJECT:	NOTES:
CONTACT:	ARCHITECT:	
PHONE:	ENGINEER:	
	CONTRACTOR:	

Advanced Architectural Grilleworks 149 Denton Avenue, New Hyde Park, NY 11040 Voice: 516-488-0628 Email: sales@agrilles.com	JOB #:
	QUOTE #:



ADVANCED ARCHITECTURAL GRILLEWORKS



CORE STYLE
AAG-110
FRAME STYLE
"C"-frame

MATERIAL:

FINISH:

DEPTH: **7/8"**

OPENING SIZES		
QTY	X	Y

CUSTOMER:	PROJECT:	NOTES:
CONTACT:	ARCHITECT:	
PHONE:	ENGINEER:	
	CONTRACTOR:	

Advanced Architectural Grilleworks
 149 Denton Avenue, New Hyde Park, NY 11040 Voice: 516-488-0628
 Email: sales@aagrilles.com

JOB #:

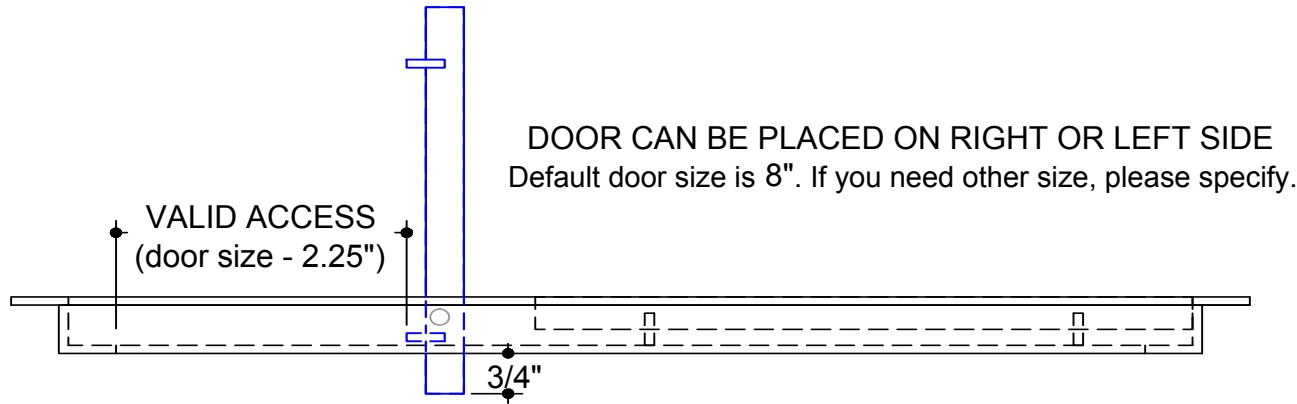
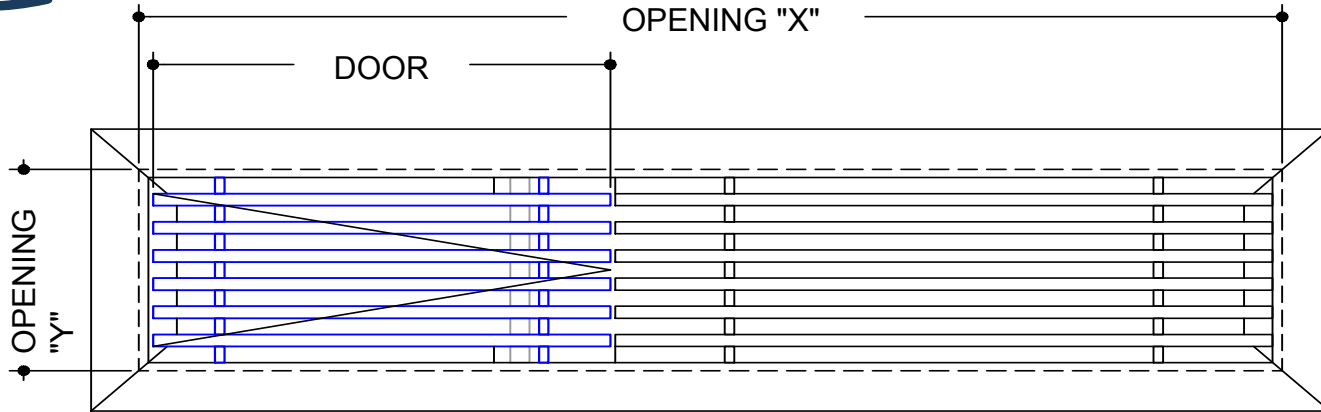
QUOTE #:



ADVANCED ARCHITECTURAL GRILLEWORKS

CORE STYLE
AAG-110

FRAME STYLE
"C"-frame



MATERIAL:

FINISH:

DEPTH: **7/8"**

DOOR SIZE:

OPENING SIZES

QTY	X	Y

CUSTOMER:

CONTACT:

PHONE:

PROJECT:

ARCHITECT:

ENGINEER:

CONTRACTOR:

NOTES:

Advanced Architectural Grilleworks
 149 Denton Avenue, New Hyde Park, NY 11040 Voice: 516-488-0628
 Email: sales@agrilles.com

JOB #:

QUOTE #:



ADVANCED ARCHITECTURAL GRILLEWORKS

CORE STYLE
AAG-110

FRAME STYLE
Core Only

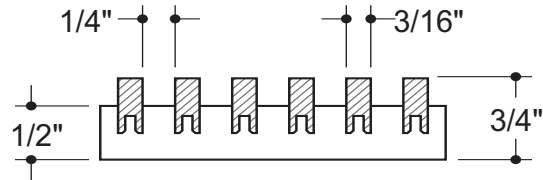
MATERIAL:

FINISH:

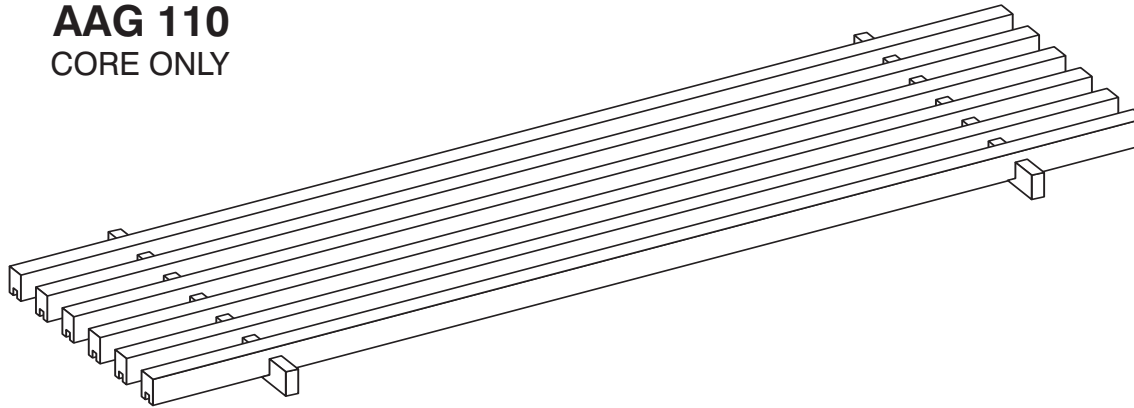
DEPTH: **3/4"**

OPENING SIZES

QTY	X	Y



AAG 110
CORE ONLY



CUSTOMER:	PROJECT:	NOTES:	
	CONTACT:		ARCHITECT:
	PHONE:		ENGINEER:
	CONTRACTOR:		

Advanced Architectural Grilleworks

149 Denton Avenue, New Hyde Park, NY 11040 Voice: 516-488-0628
Email: sales@agrilles.com

JOB #:

QUOTE #:



ADVANCED ARCHITECTURAL GRILLEWORKS

*THE AUTHENTIC AND ONLY PATENTED PLASTER J BEAD - PATENT #'s 9,765,988 # 10,871,305

CORE STYLE
AAG-110

FRAME STYLE
J Bead*

MATERIAL:

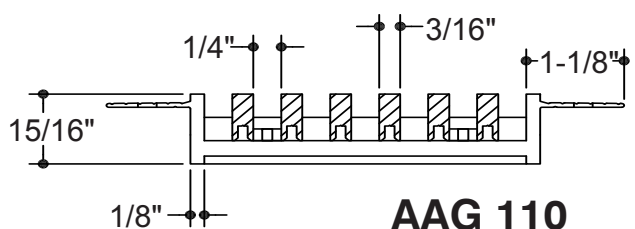
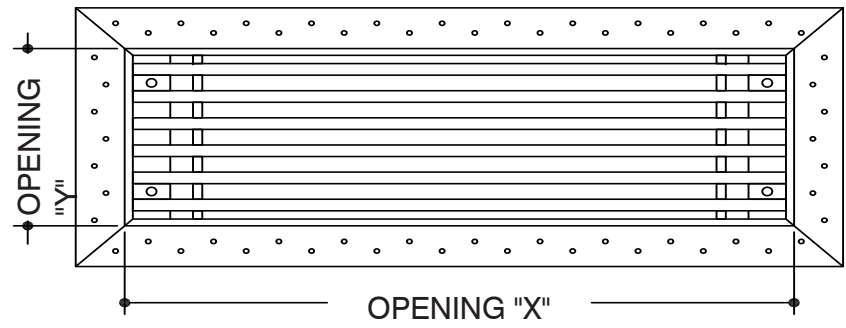
FINISH:

DEPTH: **3/4"**

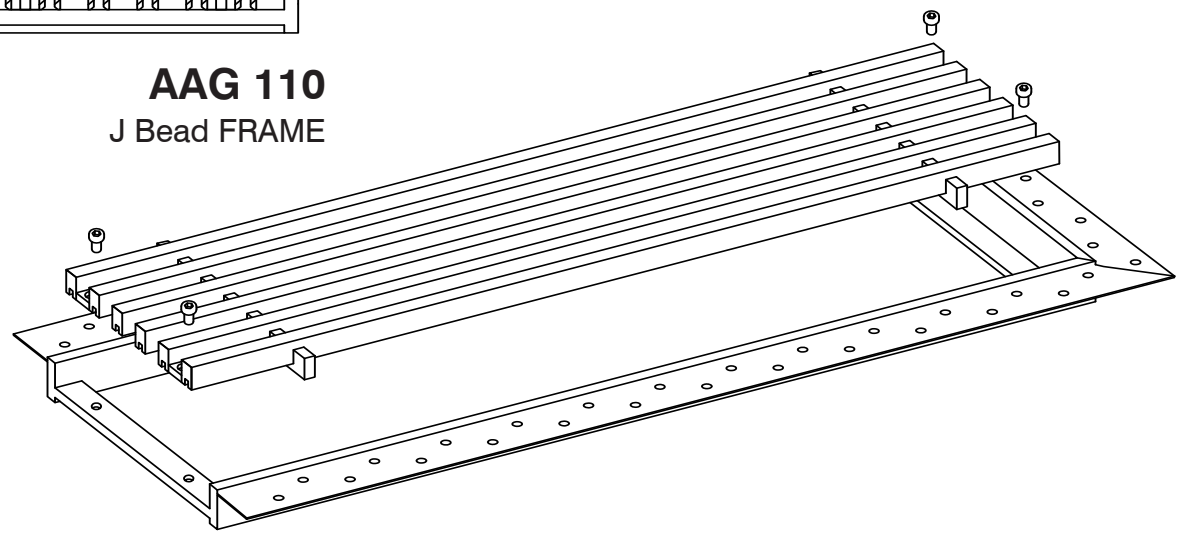
DEPTH: **REMOVABLE**

OPENING SIZES

QTY	X	Y



AAG 110
J Bead FRAME



CUSTOMER:	PROJECT:	NOTES:
CONTACT:	ARCHITECT:	
PHONE:	ENGINEER:	
	CONTRACTOR:	

Advanced Architectural Grilleworks 149 Denton Avenue, New Hyde Park, NY 11040 Voice: 516-488-0628 Email: sales@agrilles.com	JOB #:
	QUOTE #: