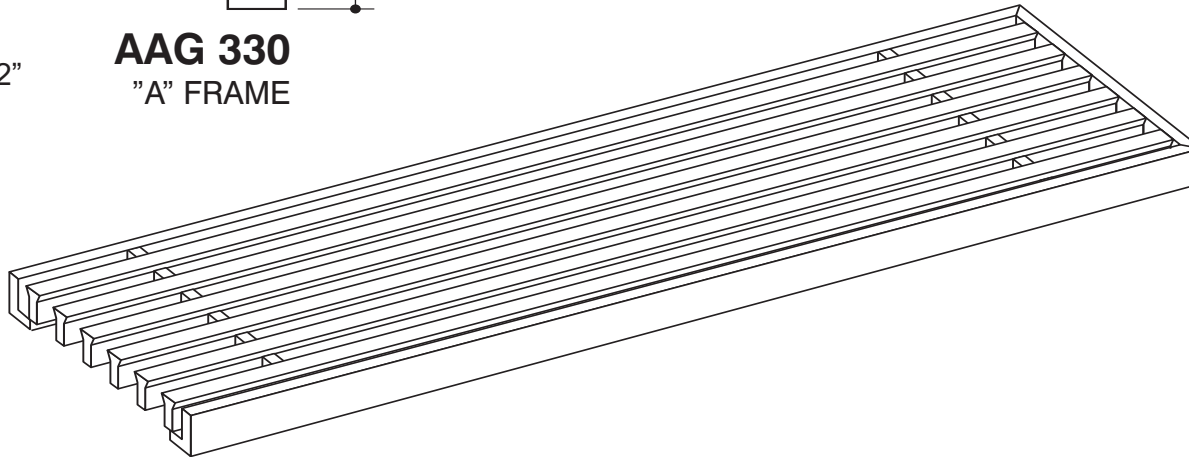
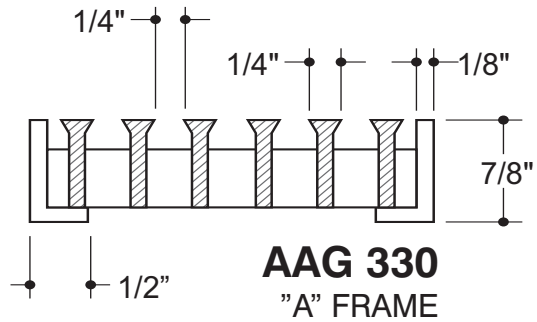




# ADVANCED ARCHITECTURAL GRILLEWORKS

CORE STYLE  
**AAG-330**  
 FRAME STYLE  
**"A"-frame**



MATERIAL:

FINISH:

DEPTH: **7/8"**

OPENING SIZES		
QTY	X	Y

CUSTOMER:	PROJECT:	NOTES:
CONTACT:	ARCHITECT:	
PHONE:	ENGINEER:	
	CONTRACTOR:	

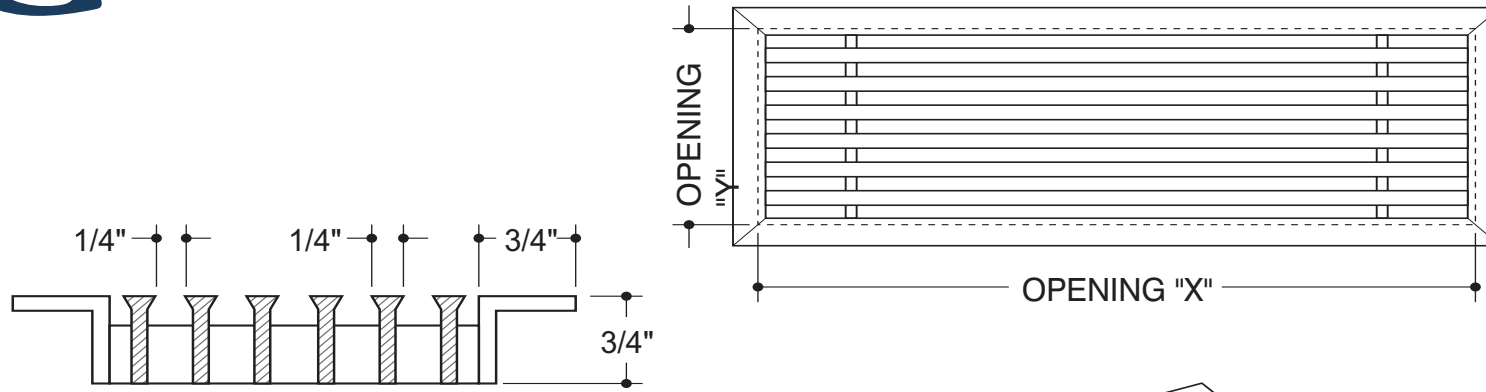
<b>Advanced Architectural Grilleworks</b> 149 Denton Avenue, New Hyde Park, NY 11040 Voice: 516-488-0628 Email: sales@agrilles.com	JOB #:
	QUOTE #:



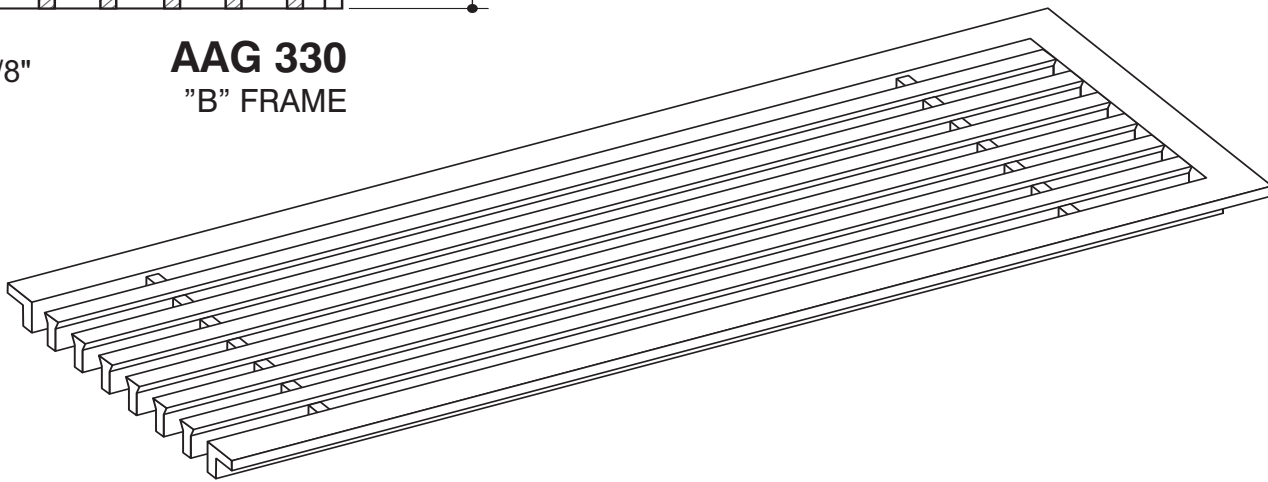


# ADVANCED ARCHITECTURAL GRILLEWORKS

CORE STYLE  
**AAG-330**  
 FRAME STYLE  
**"B"-frame**



**AAG 330**  
**"B" FRAME**



MATERIAL:

---

FINISH:

---

DEPTH: **3/4"**

**OPENING SIZES**

QTY	X	Y

CUSTOMER:	PROJECT:	NOTES:	
	CONTACT:		ARCHITECT:
	PHONE:		ENGINEER:
	CONTRACTOR:		

**Advanced Architectural Grilleworks**  
 149 Denton Avenue, New Hyde Park, NY 11040 Voice: 516-488-0628  
 Email: sales@agrilles.com

JOB #:

---

QUOTE #:







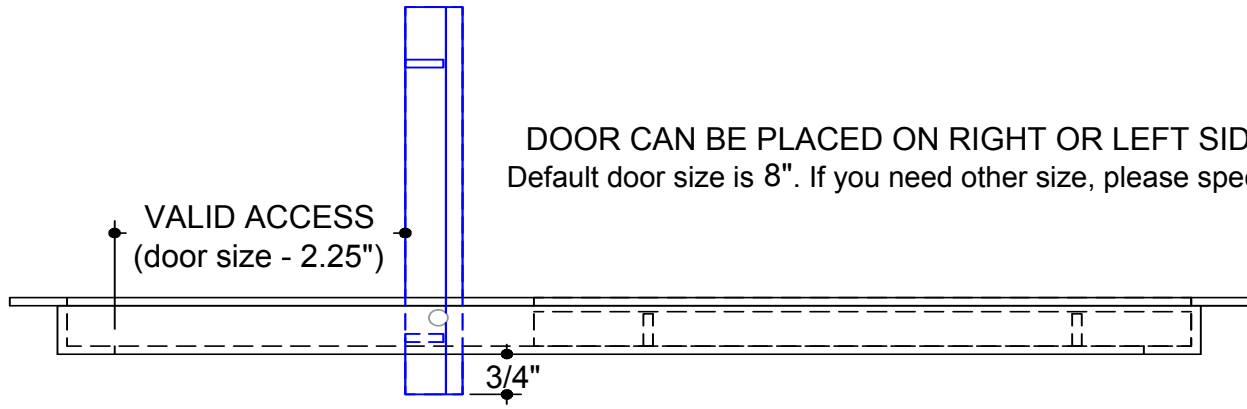
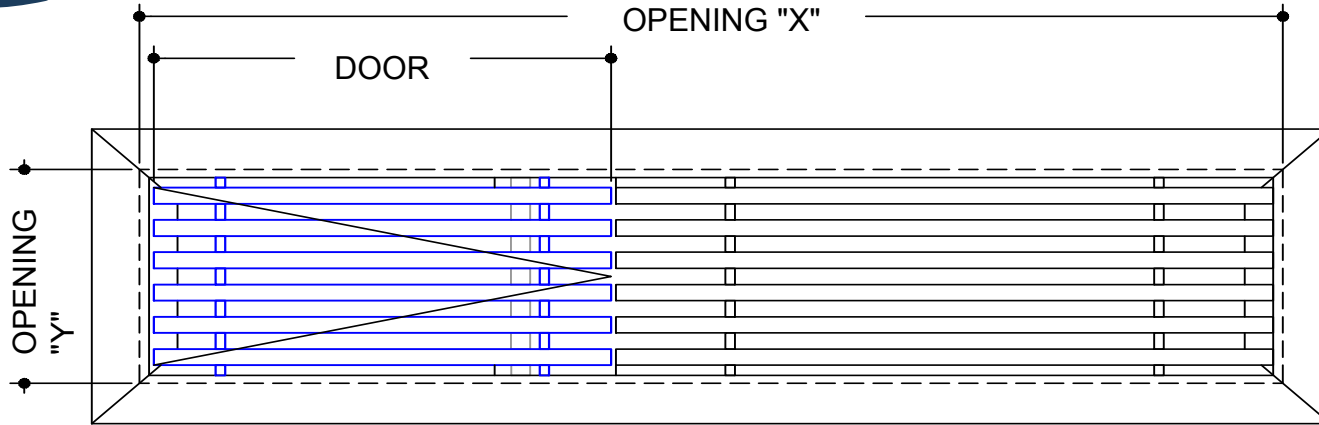




# ADVANCED ARCHITECTURAL GRILLEWORKS

CORE STYLE  
**AAG-330**

FRAME STYLE  
**"C"-frame**



DOOR CAN BE PLACED ON RIGHT OR LEFT SIDE  
Default door size is 8". If you need other size, please specify.

MATERIAL:

FINISH:

DEPTH: **7/8"**

DOOR SIZE:

### OPENING SIZES

QTY	X	Y

CUSTOMER:

CONTACT:

PHONE:

PROJECT:

ARCHITECT:

ENGINEER:

CONTRACTOR:

NOTES:

**Advanced Architectural Grilleworks**  
 149 Denton Avenue, New Hyde Park, NY 11040 Voice: 516-488-0628  
 Email: sales@agrilles.com

JOB #:

QUOTE #:





# ADVANCED ARCHITECTURAL GRILLEWORKS

CORE STYLE  
**AAG-330**

FRAME STYLE  
**Core Only**

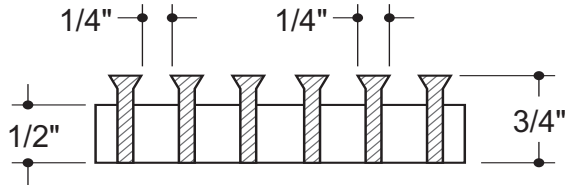
MATERIAL:

FINISH:

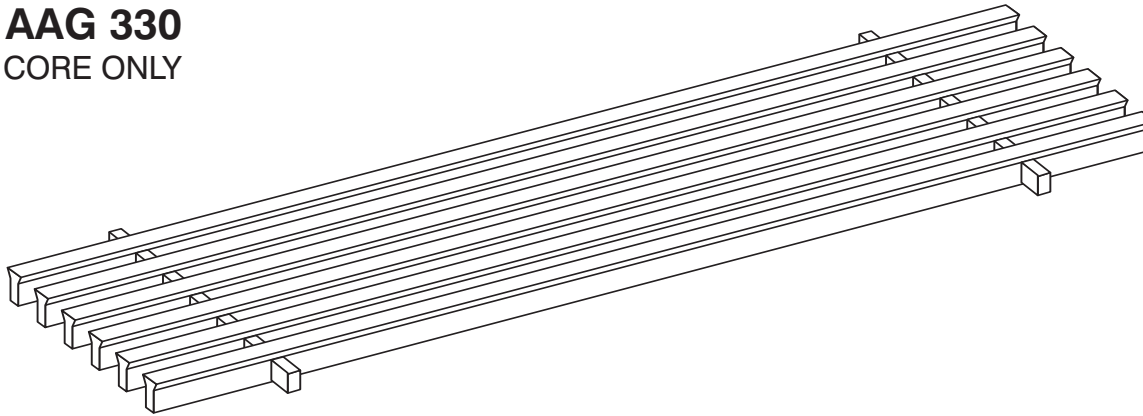
DEPTH: **3/4"**

### OPENING SIZES

QTY	X	Y



**AAG 330**  
CORE ONLY



CUSTOMER:  
CONTACT:  
PHONE:

PROJECT:  
ARCHITECT:  
ENGINEER:  
CONTRACTOR:

NOTES:

## Advanced Architectural Grilleworks

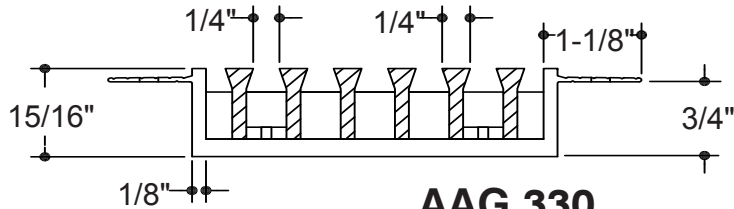
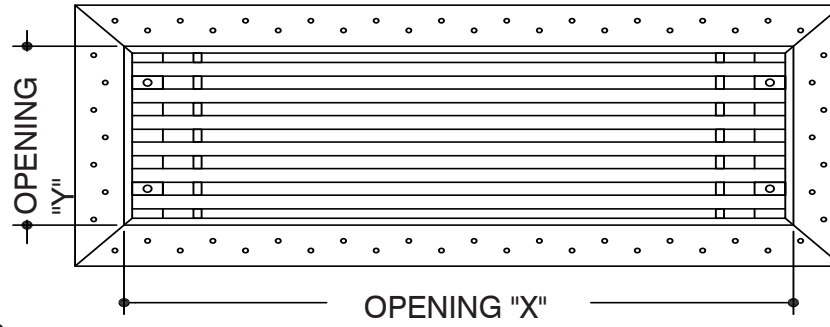
149 Denton Avenue, New Hyde Park, NY 11040 Voice: 516-488-0628  
Email: sales@agrilles.com

JOB #:  
QUOTE #:

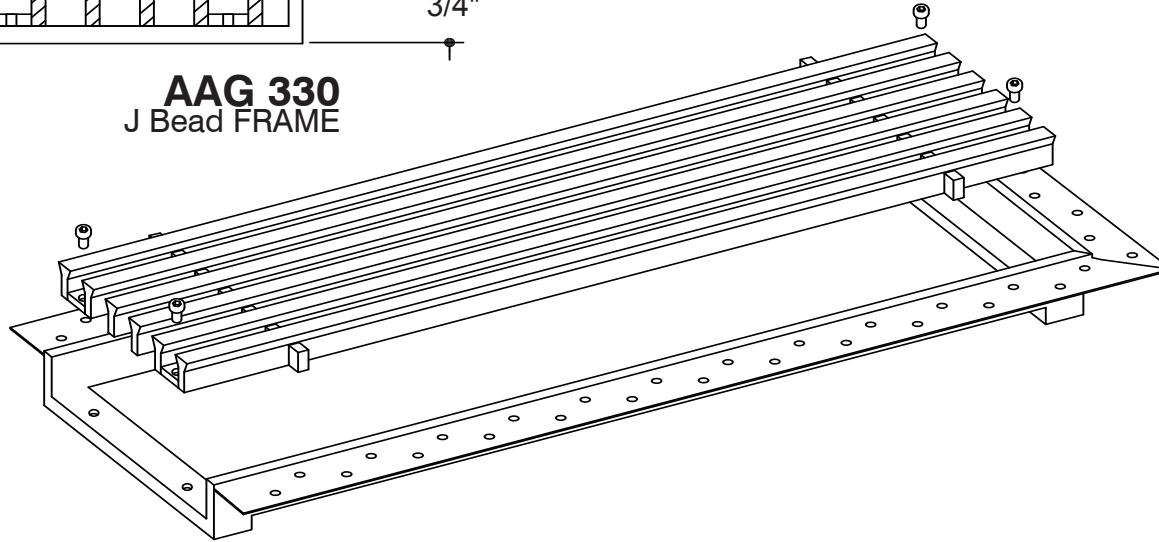


# ADVANCED ARCHITECTURAL GRILLEWORKS

\* THE AUTHENTIC AND ONLY PATENTED PLASTER J BEAD - PATENT #'s 9,765,988 # 10,871,305



**AAG 330**  
J Bead FRAME



CORE STYLE  
**AAG-330**

FRAME STYLE  
**J Bead\***

MATERIAL:

FINISH:

DEPTH: **15/16"**

CORE: **REMOVABLE**

**OPENING SIZES**

QTY	X	Y

CUSTOMER:	PROJECT:	NOTES:
CONTACT:	ARCHITECT:	
PHONE:	ENGINEER:	
	CONTRACTOR:	

<b>Advanced Architectural Grilleworks</b> 149 Denton Avenue, New Hyde Park, NY 11040 Voice: 516-488-0628 Email: sales@agrilles.com	JOB #:
	QUOTE #: