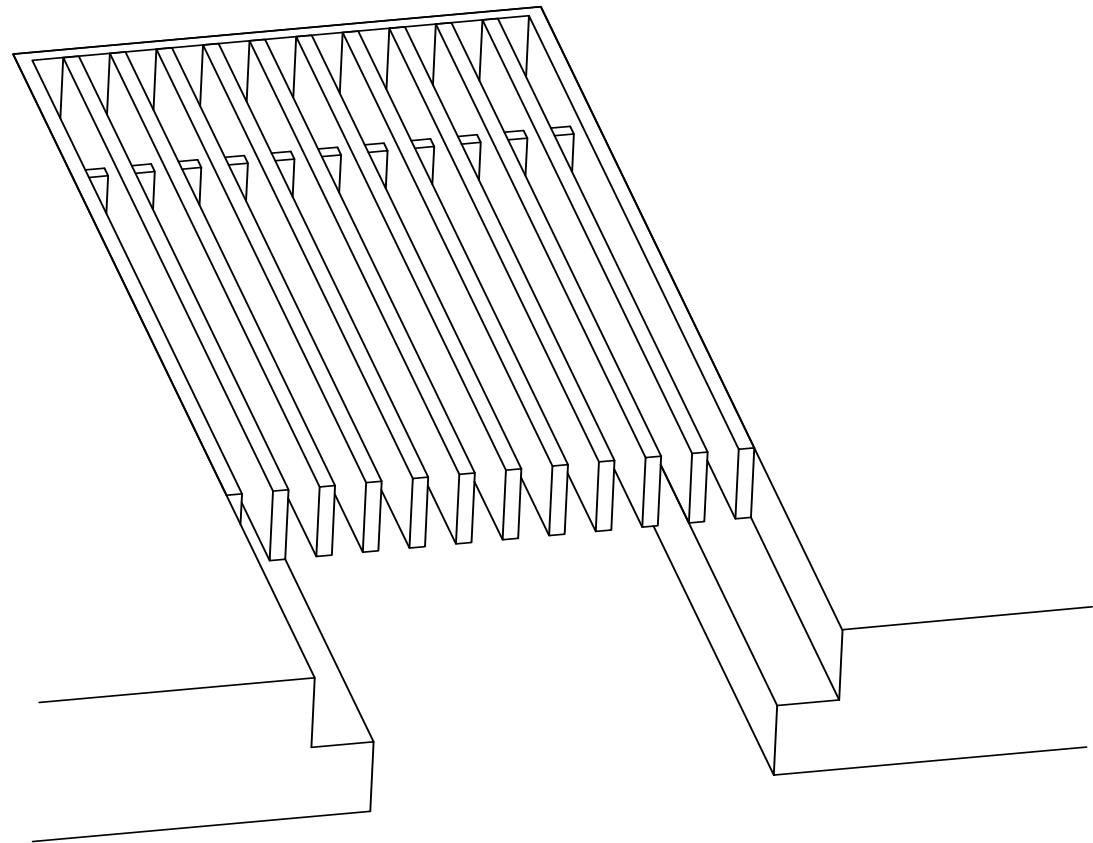




ADVANCED ARCHITECTURAL GRILLEWORKS

Installation Detail # 18

BAND FRAME DROP IN



Used for multiple applications:

- Enclosures
- Millwork
- Fin tube openings

SECTION NAME: AAG100 Band Frame

TITLE: Installation Detail # 18

DRAWN BY: AAG

DRAWING #: 18-1

DATE: 11-30-18

SCALE: Not To Scale

Advanced Architectural Grilleworks

149 Denton Avenue, New Hyde Park, NY 11040

Voice: 516-488-0628

Email: sales@agrilles.com