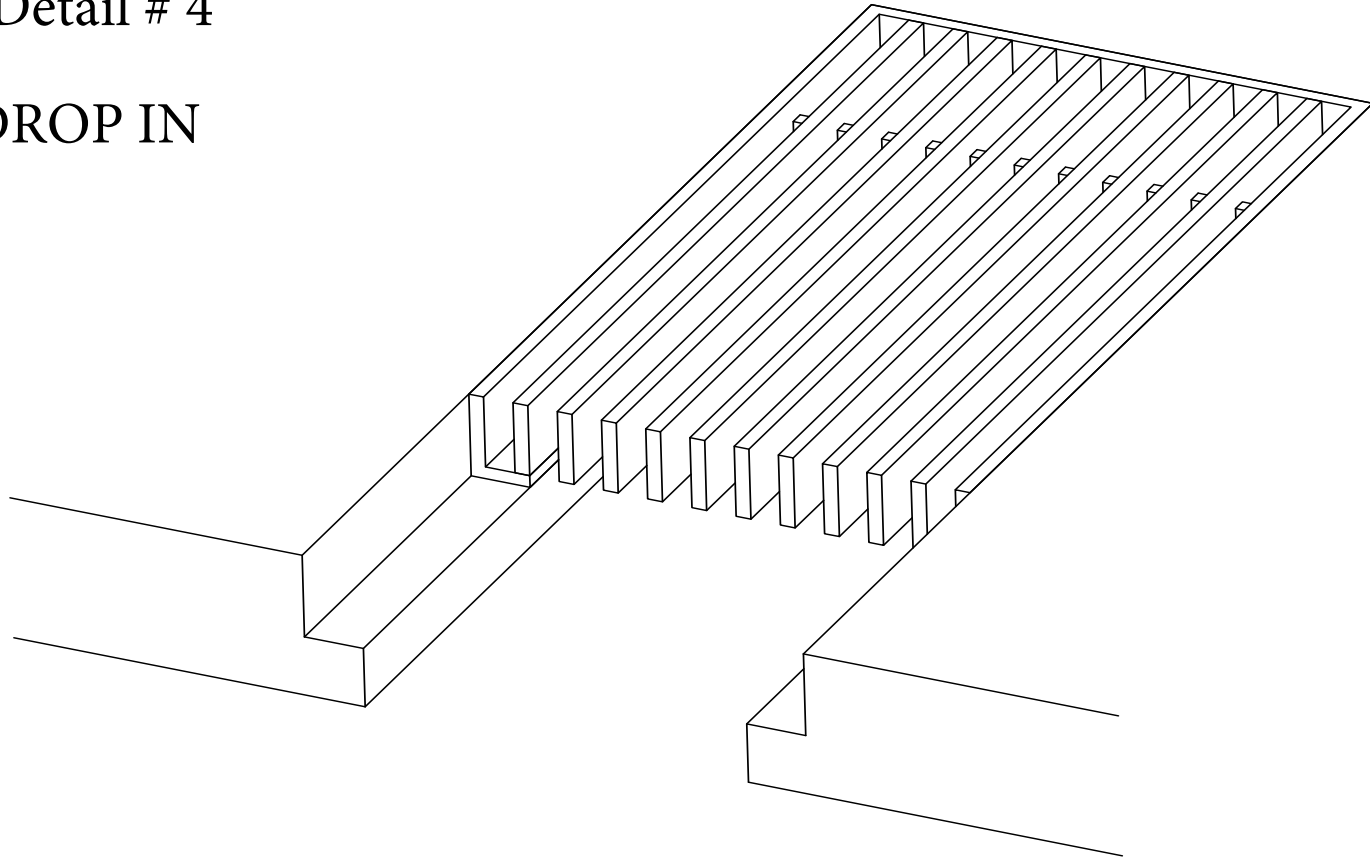




# ADVANCED ARCHITECTURAL GRILLEWORKS

## Installation Detail # 4

### A FRAME DROP IN



*Used for multiple applications:*

- Enclosures
- Floor vents
- Fin tube openings
- Millwork
- Counter-tops

SECTION NAME: AAG100 A Frame

TITLE: Installation Detail # 4

DRAWN BY: AAG

DRAWING #: 04-1

DATE: 11-30-18

SCALE: Not To Scale

**Advanced Architectural Grilleworks**

149 Denton Avenue, New Hyde Park, NY 11040

Voice: 516-488-0628

Email: [sales@agrilles.com](mailto:sales@agrilles.com)