

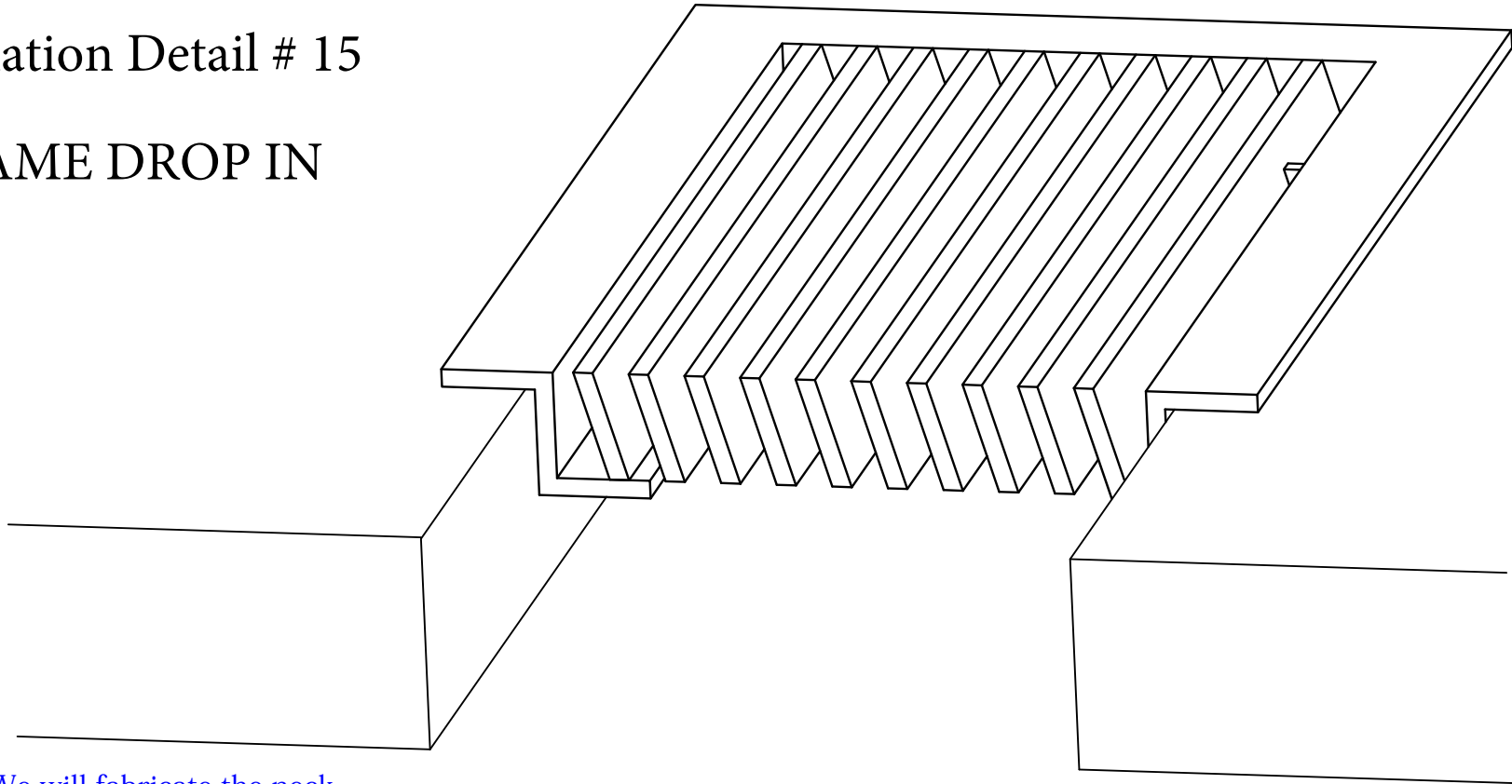


ADVANCED ARCHITECTURAL GRILLEWORKS

Creating Artistry in Architectural Grilles & Metal

Installation Detail # 15

C FRAME DROP IN



AAG Tip: We will fabricate the neck
1/8" smaller than your opening.

Used for multiple applications:

- Floor
- Sill

SECTION NAME: AAG400FP C Frame

TITLE: Installation Detail # 15

DRAWN BY: AAG

DRAWING #: 15-1

DATE: 06-04-20

SCALE: Not To Scale

Advanced Architectural Grilleworks

149 Denton Avenue, New Hyde Park, NY 11040

Voice: 516-488-0628

Email: sales@agrilles.com