

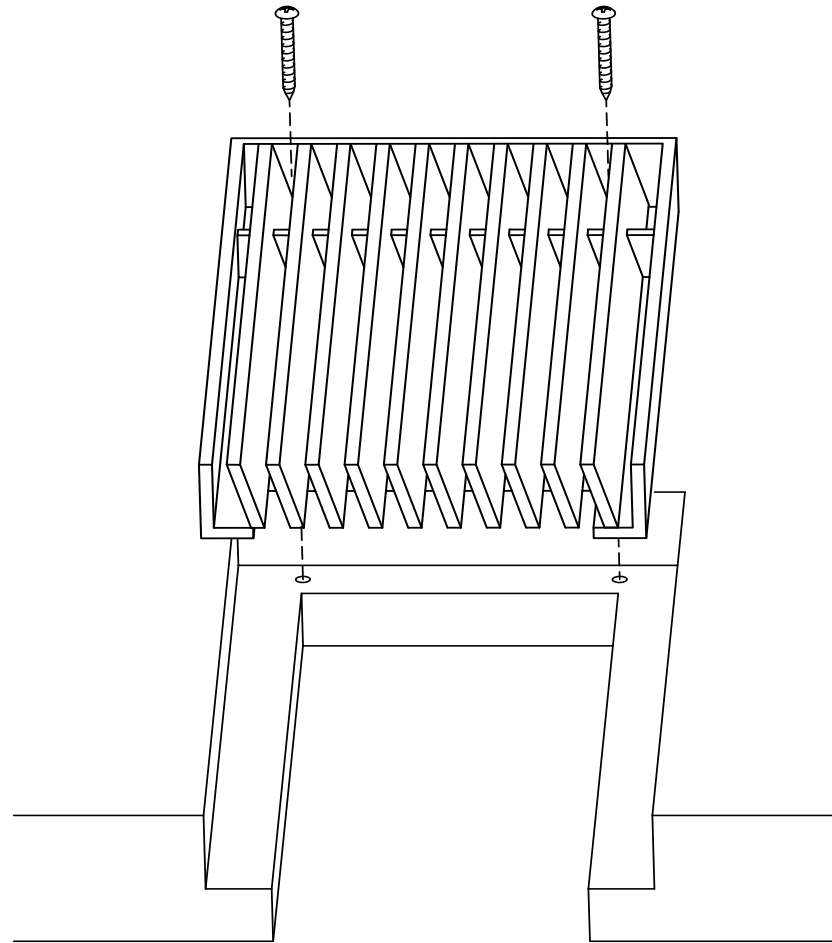


ADVANCED ARCHITECTURAL GRILLEWORKS

Creating Artistry in Architectural Grilles & Metal

Installation Detail # 5

WITH COUNTERSUNK
MOUNTING HOLES



*Secures the grille and frame to:
Wall openings, ceiling openings, floor vent access points,
toe-kicks and under benches.
AAG provides mounting fasteners with a matching finish.*

SECTION NAME: AAG400FP A Frame

TITLE: Installation Detail # 5

DRAWN BY: AAG

DRAWING #: 05-1

DATE: 06-03-20

SCALE: Not To Scale

Advanced Architectural Grilleworks
149 Denton Avenue, New Hyde Park, NY 11040
Voice: 516-488-0628
Email: sales@agrilles.com