

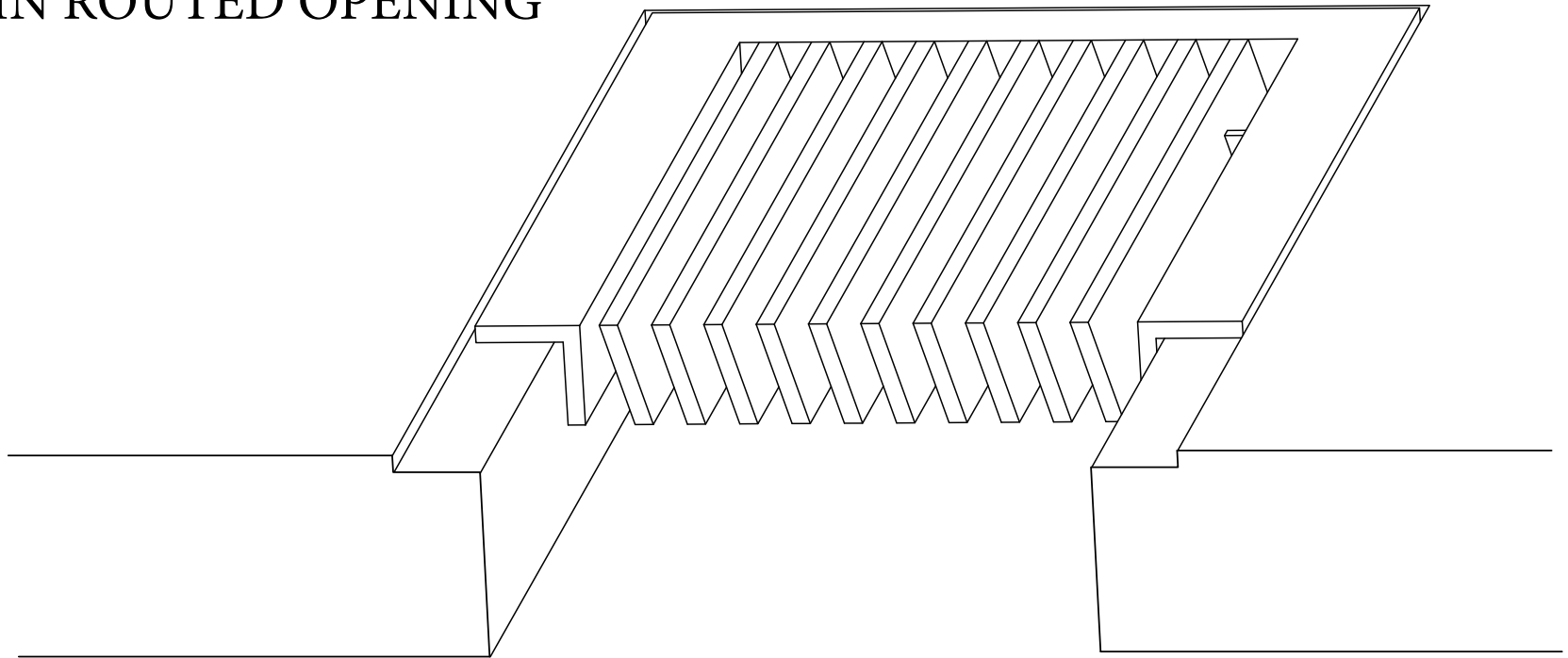


ADVANCED ARCHITECTURAL GRILLEWORKS

Creating Artistry in Architectural Grilles & Metal

Installation Detail # 8

DROP IN ROUTED OPENING



Used for multiple applications:

Placed into an opening that has routed edges so that the flange is flush to the surrounding surface.

Used in millwork, flooring, enclosure tops and radiators.

SECTION NAME: AAG400FP B Frame

TITLE: Installation Detail # 8

DRAWN BY: AAG

DRAWING #: 08-1

DATE: 06-04-20

SCALE: Not To Scale

Advanced Architectural Grilleworks

149 Denton Avenue, New Hyde Park, NY 11040

Voice: 516-488-0628

Email: sales@agrilles.com